

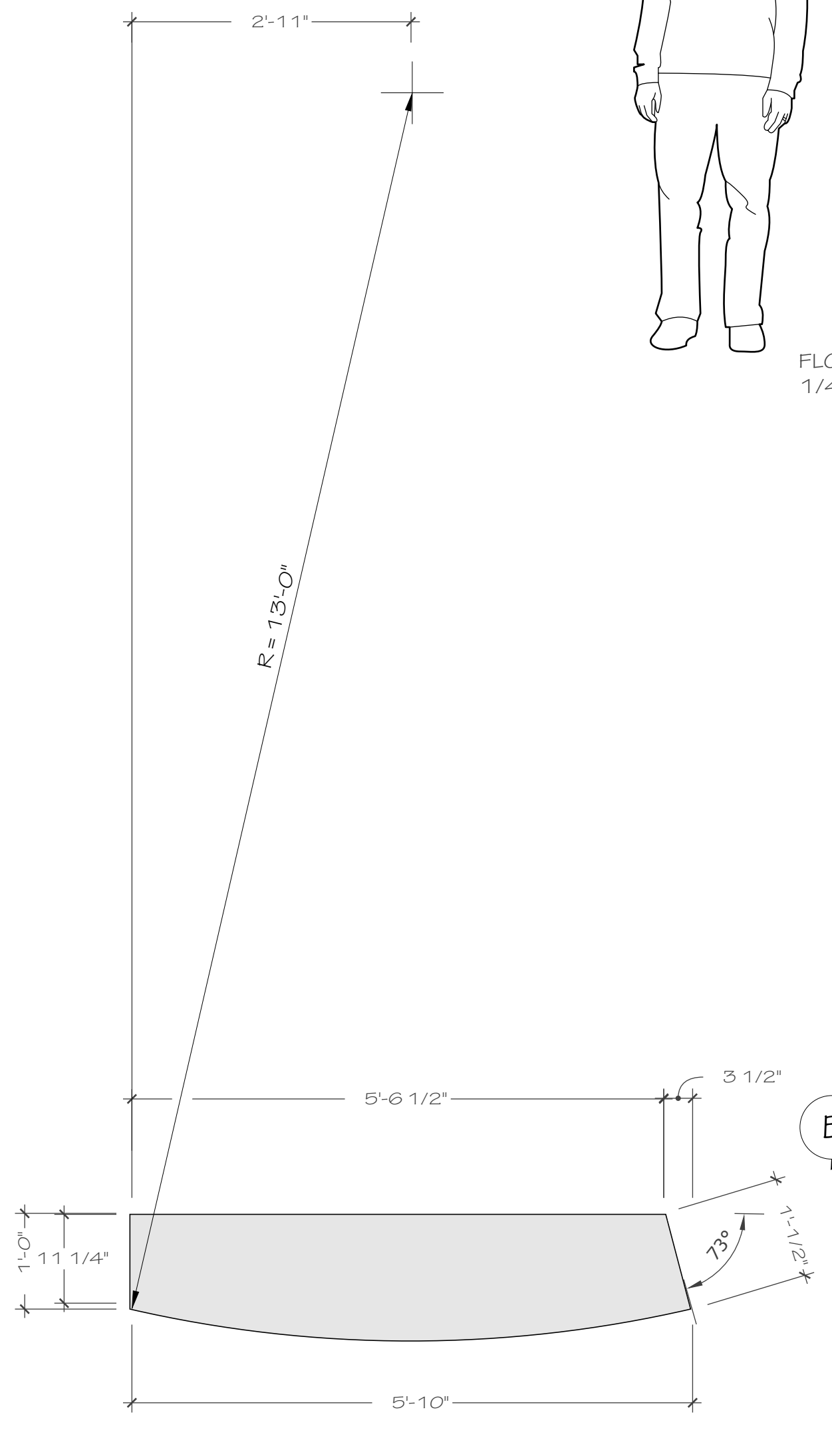
**A** ELEVATION  
3/4"-1'0"

**B** ELEVATION  
3/4"-1'0"

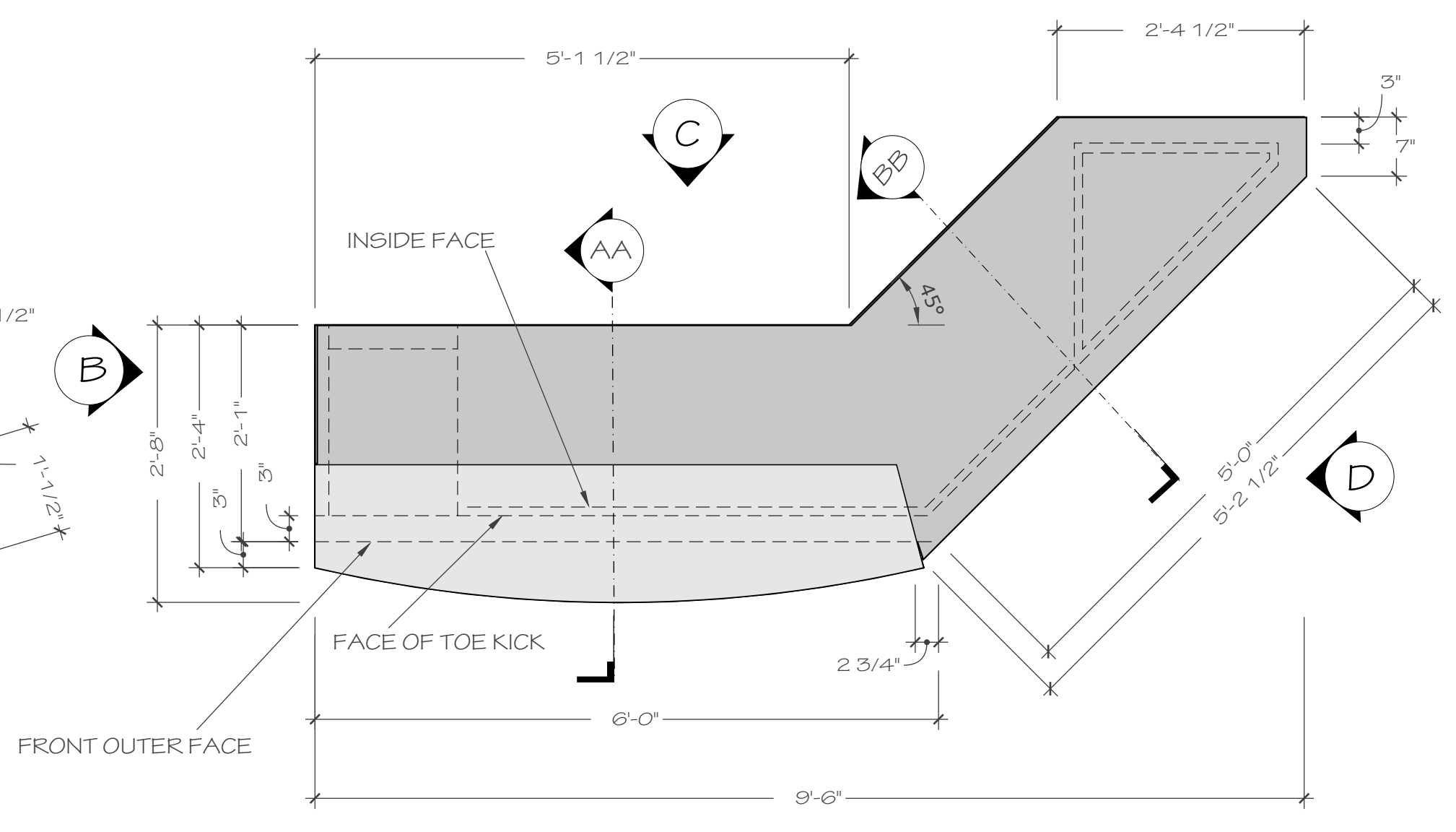
**D** ELEVATION  
3/4"-1'0"

**C** ELEVATION  
3/4"-1'0"

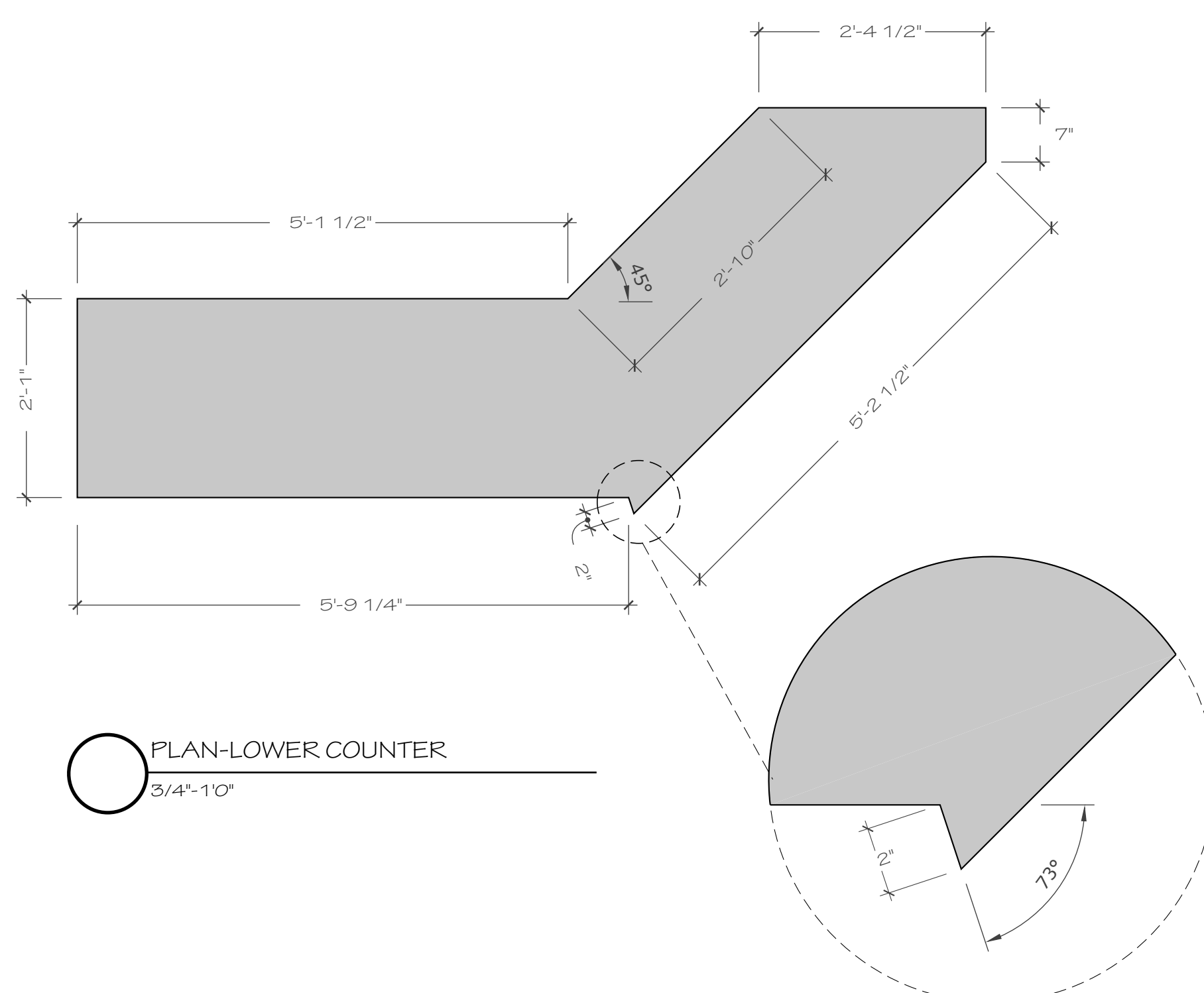
NOTE  
MAKE UNIT WILD ON  
CASTERS, OR GLIDING  
STRIPS, OR ?--DISCUSS



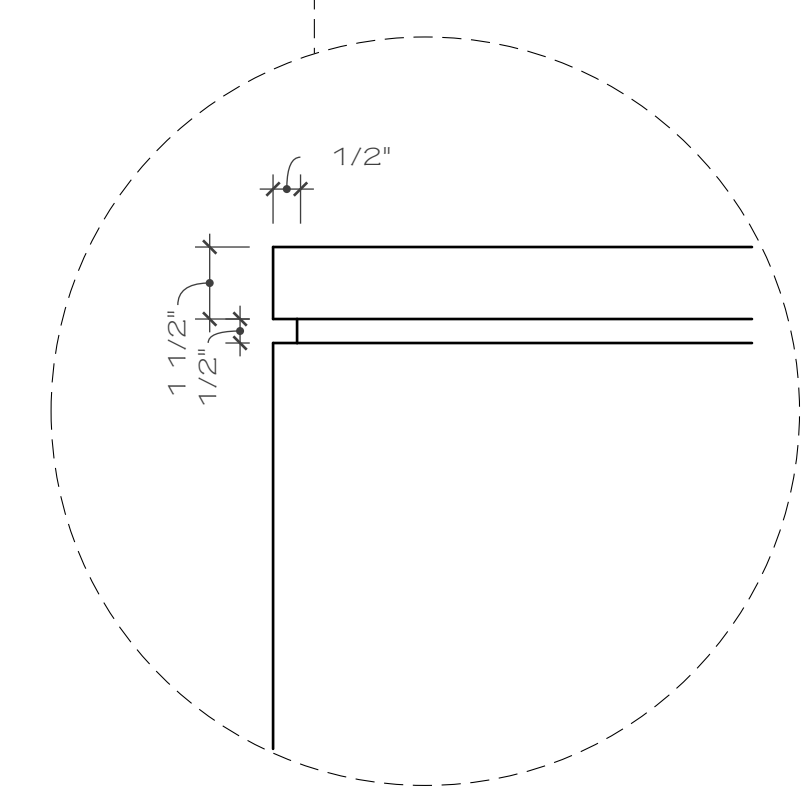
**PLAN--UPPER COUNTER**  
3/4"-1'0"



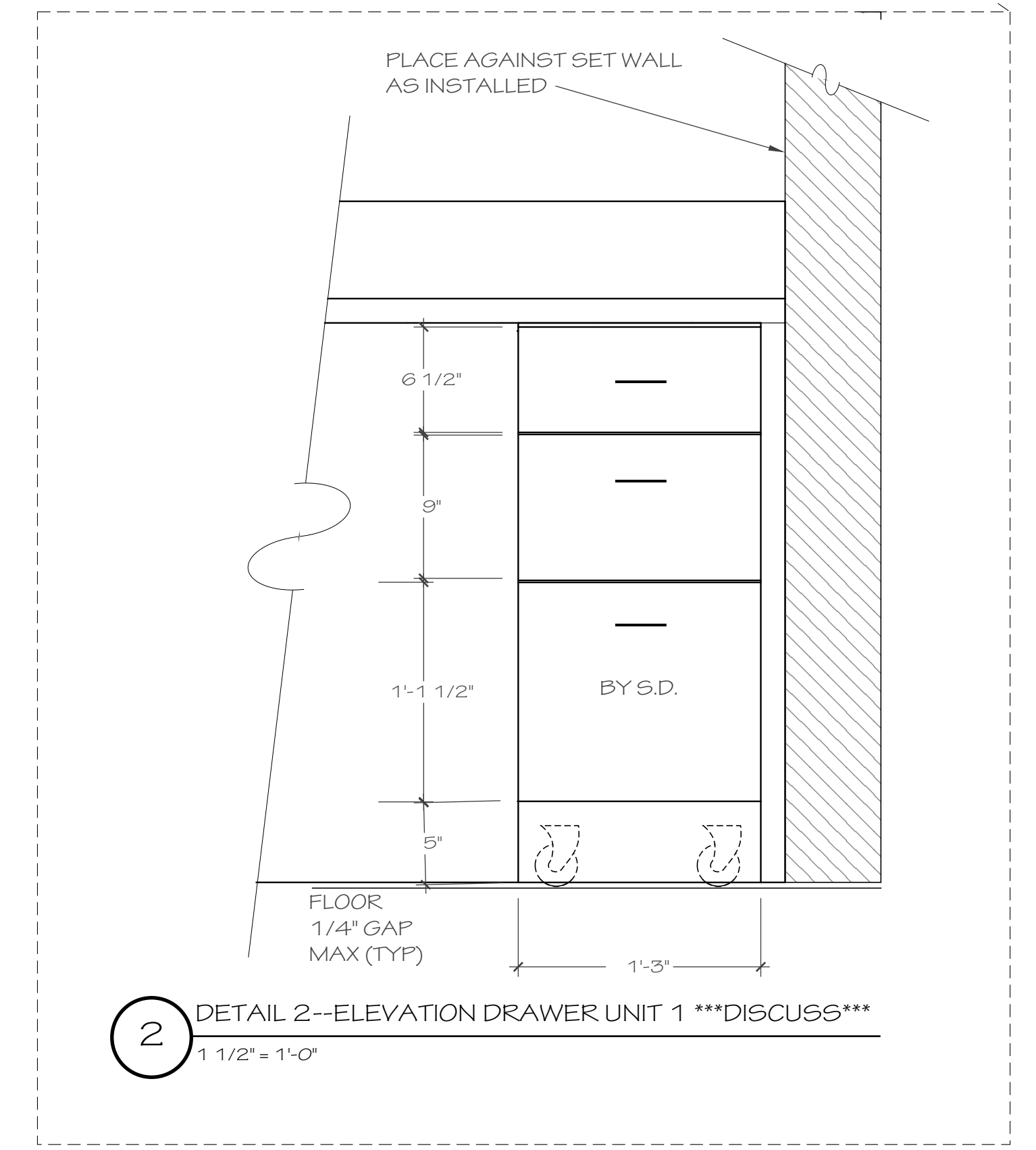
**PLAN**  
3/4"-1'0"



**PLAN--LOWER COUNTER**  
3/4"-1'0"

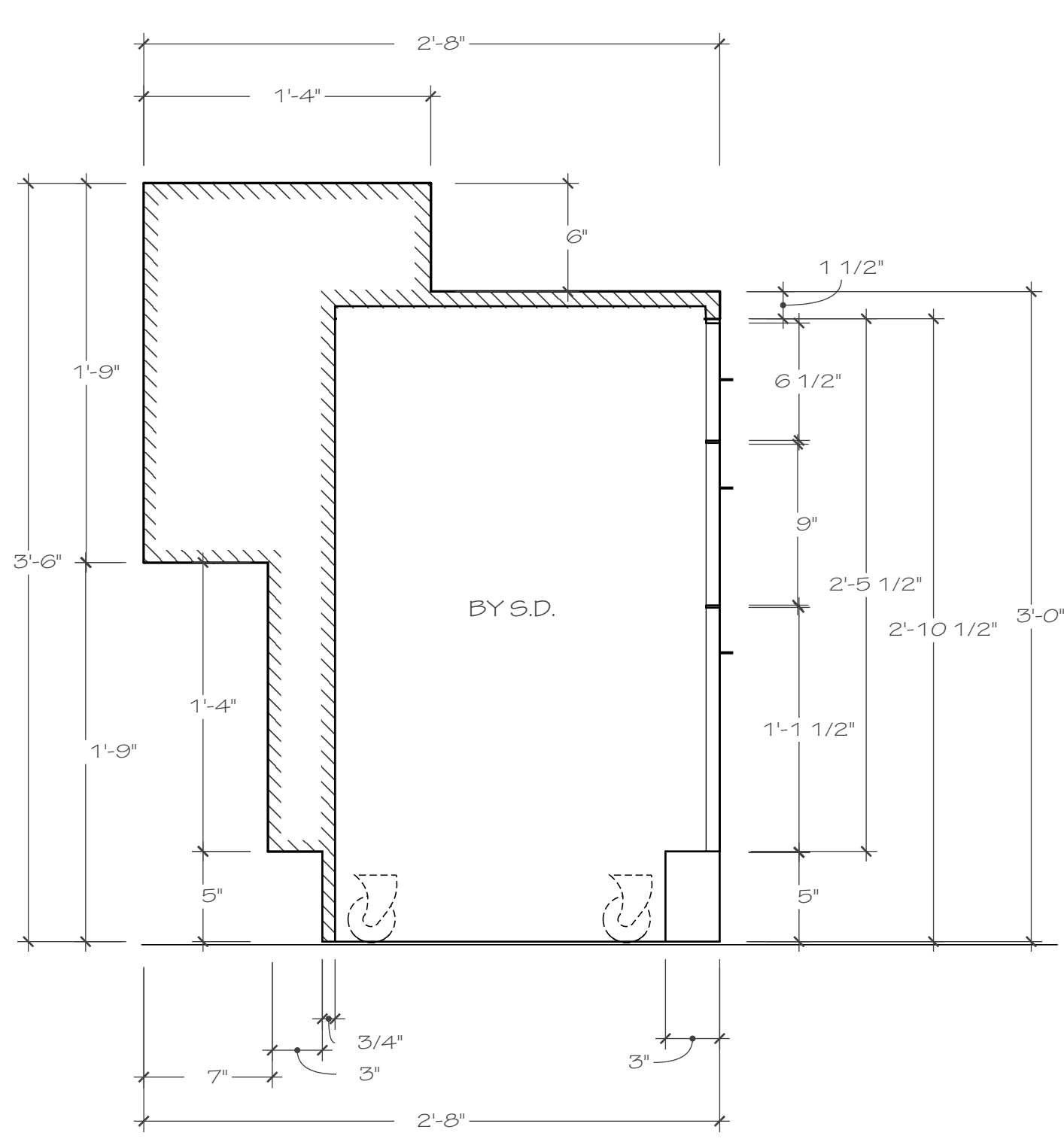


**1** DETAIL 1--COUNTER EDGE KEY (TYP)  
3\"/>

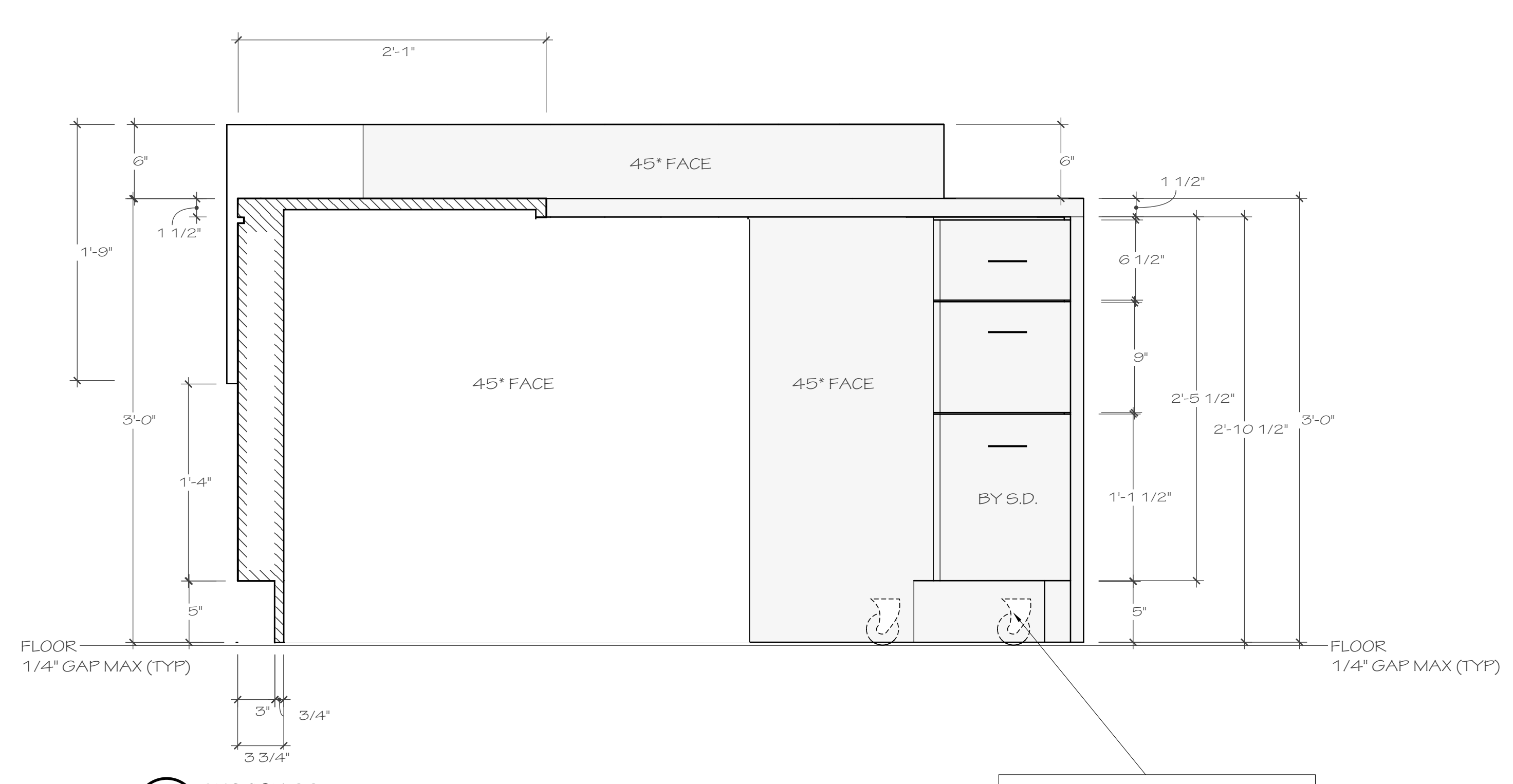


**2** DETAIL 2--ELEVATION DRAWER UNIT 1 \*\*\*DISCUSS\*\*\*  
1 1/2\"/>

**3** DETAIL 3  
3\"/>

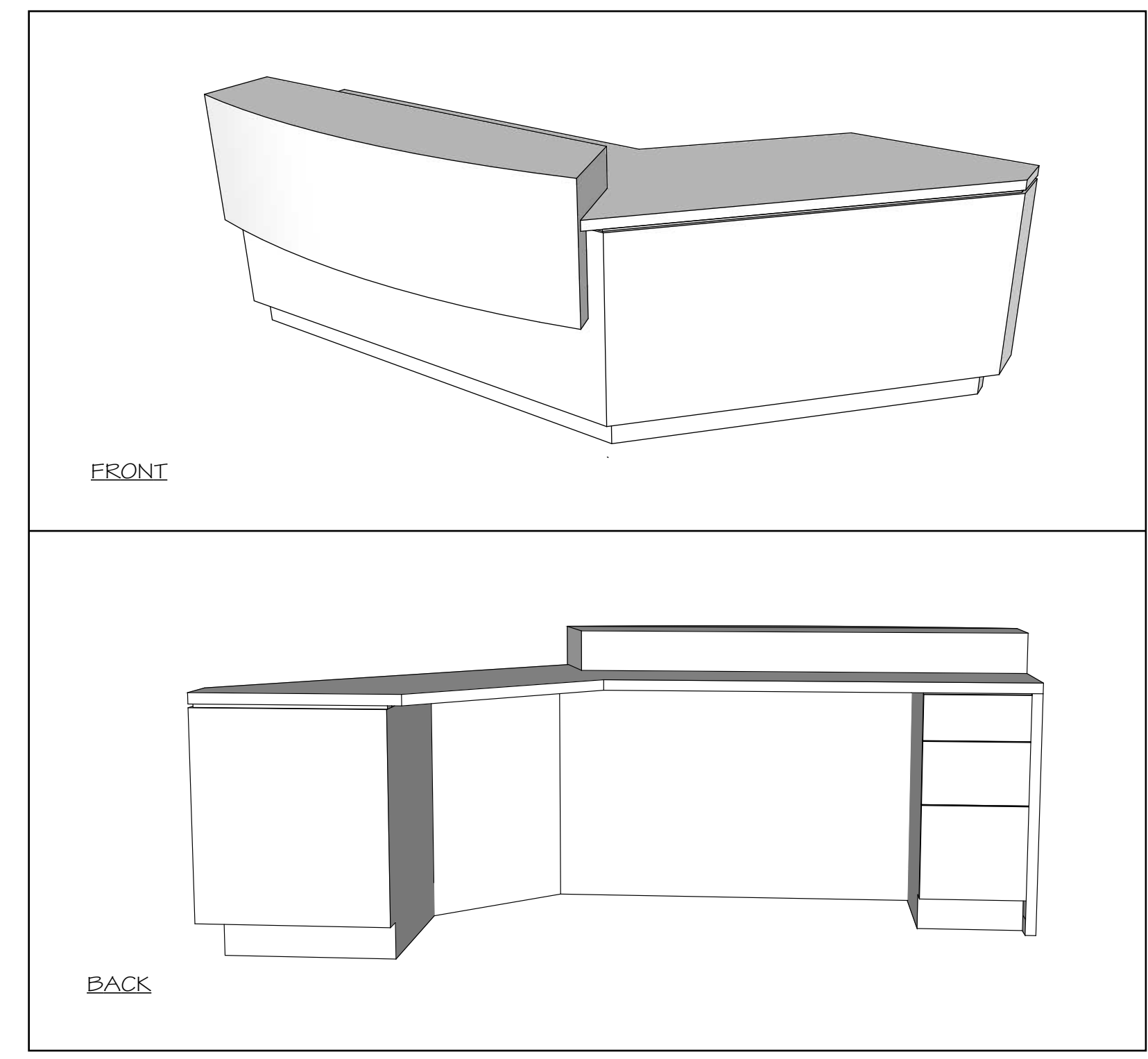


**SECTION AA**  
1 1/2"-1'0"



**SECTION BB**  
1 1/2"-1'0"

NOTE  
MAKE UNIT WILD ON  
CASTERS, OR GLIDING  
STRIPS, OR ?--DISCUSS

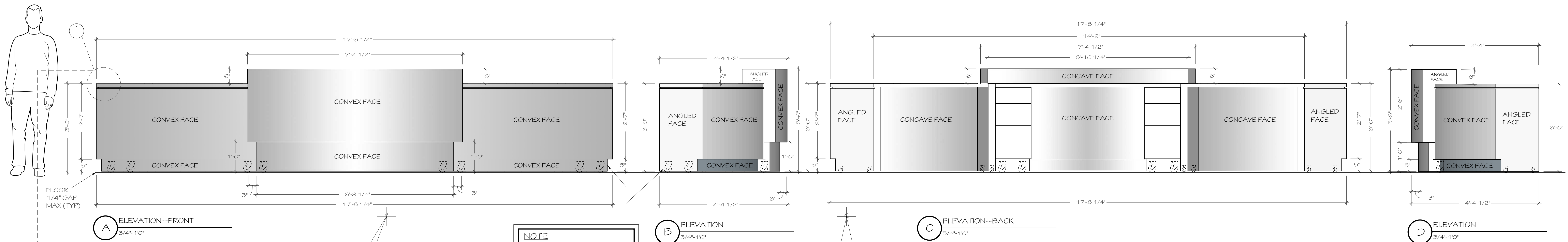


**PERSPECTIVE VIEWS**

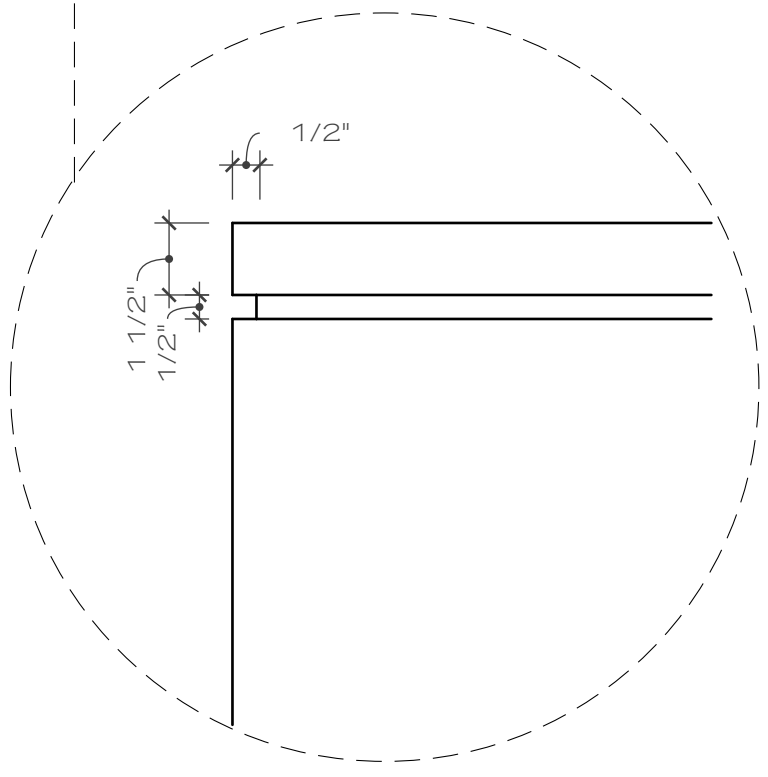
**RELEASED 08.11.17**

**THE RESIDENT**

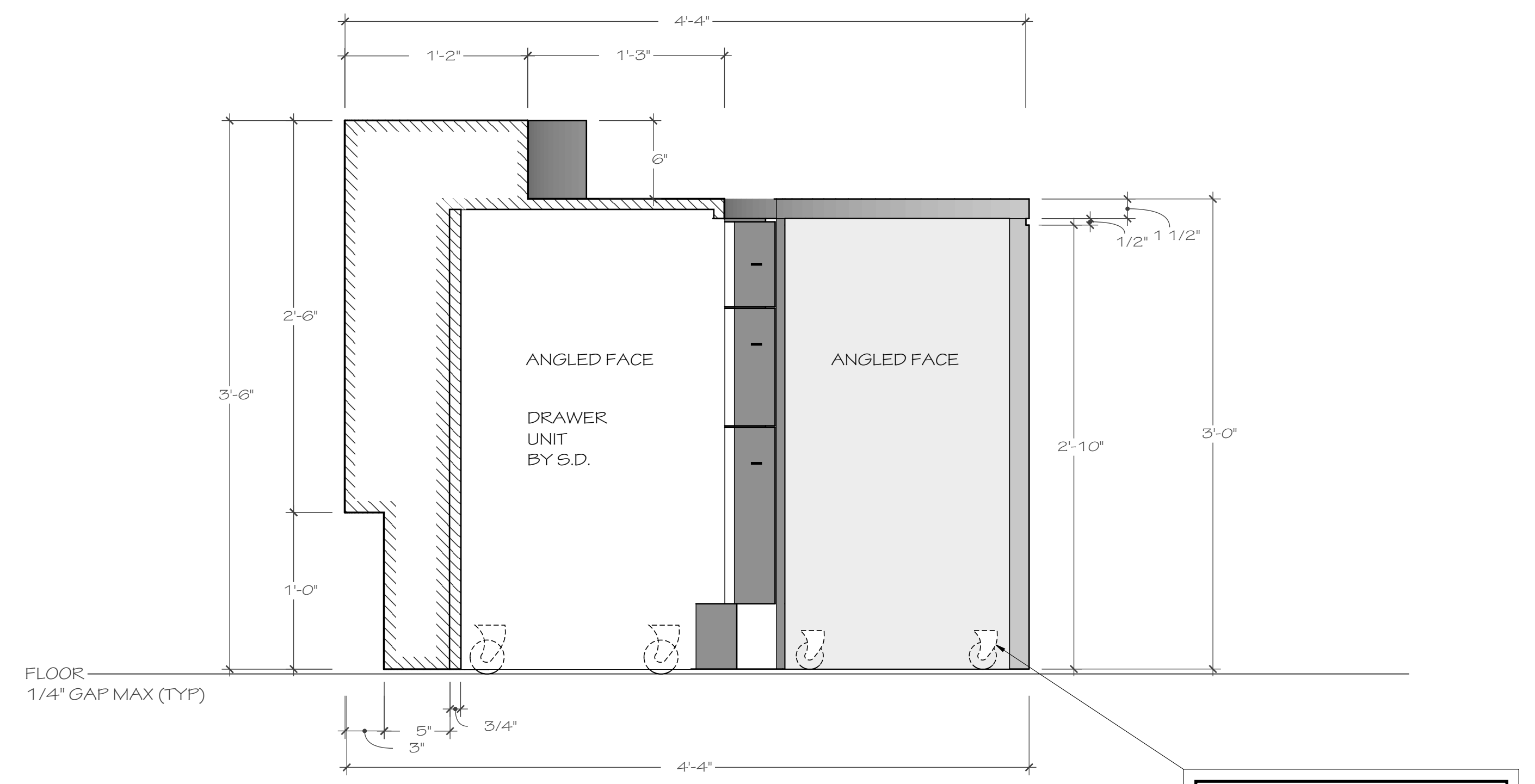
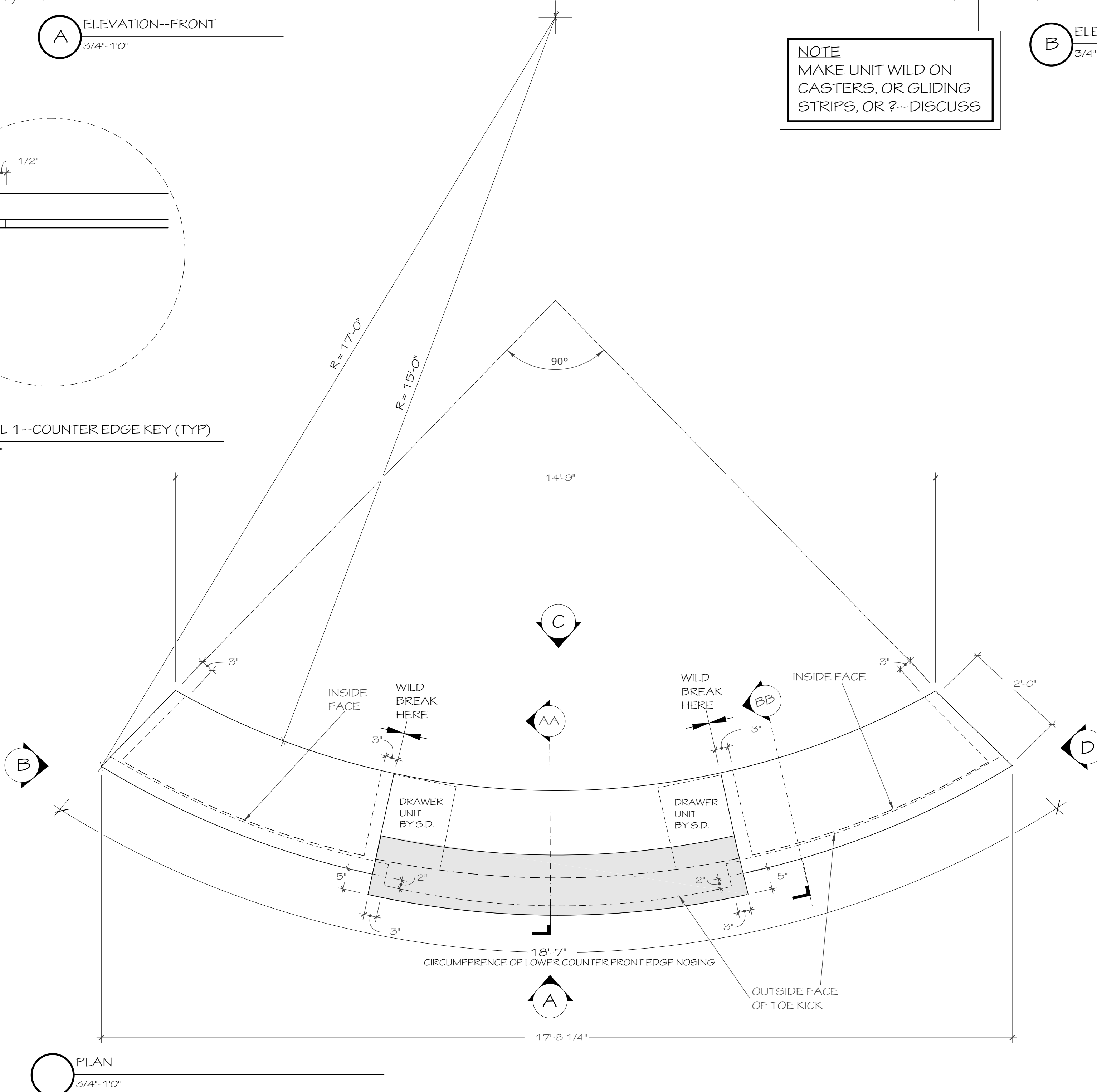
|  |                   |                      |                  |
|--|-------------------|----------------------|------------------|
| DATE DRAWN<br>08.11.17                         | SCALE<br>AS NOTED | REVISION #<br>---    | SET NO.<br>99-15 |
| SET TITLE<br>NURSES STATION 2                  |                   | DRAWN BY<br>S. BURNS |                  |
| DWG. TITLE<br>NURSES STATION 2 CABINET DETAILS |                   |                      | SHEET NO.        |
| LOCATION<br>STAGE 1                            |                   |                      | <b>C1</b>        |



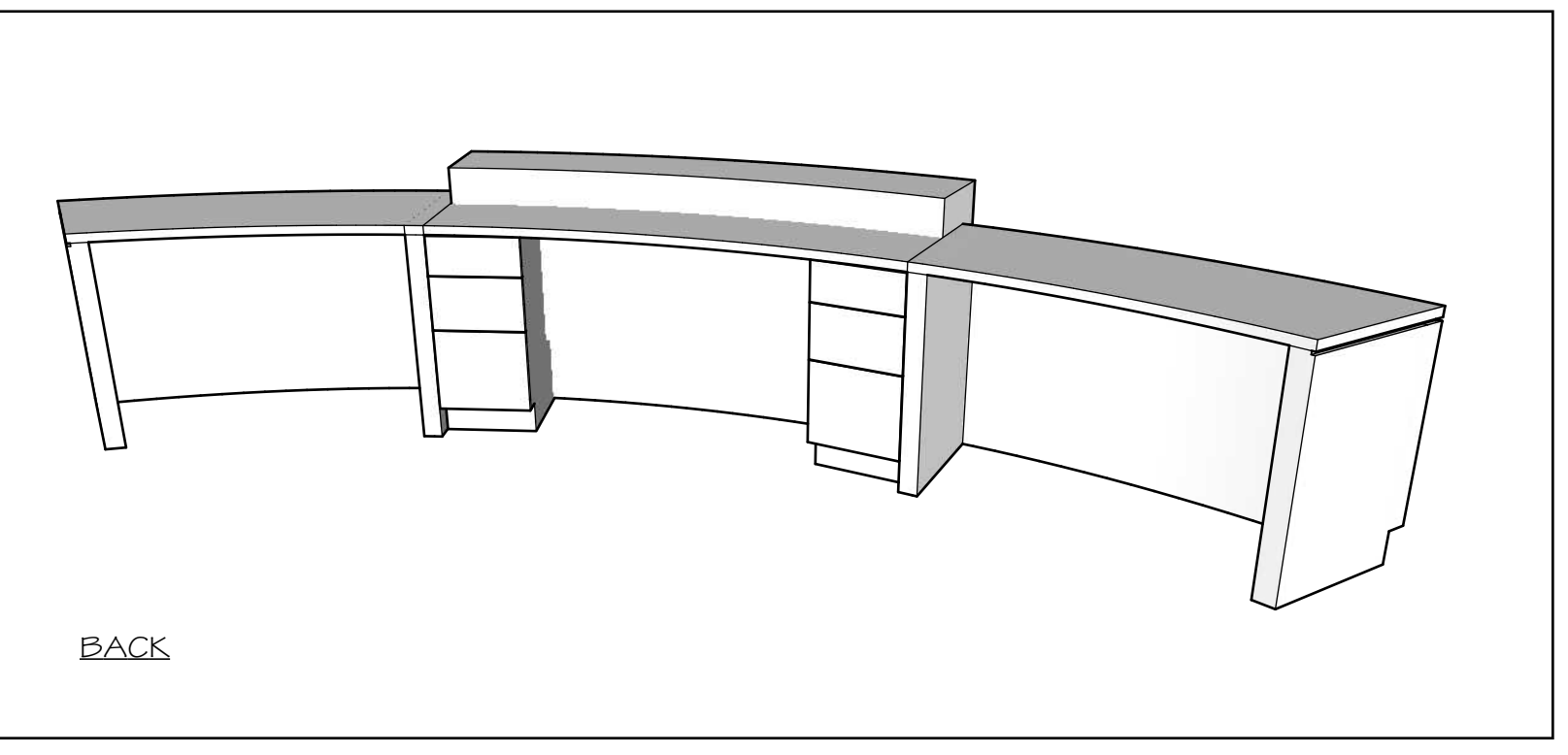
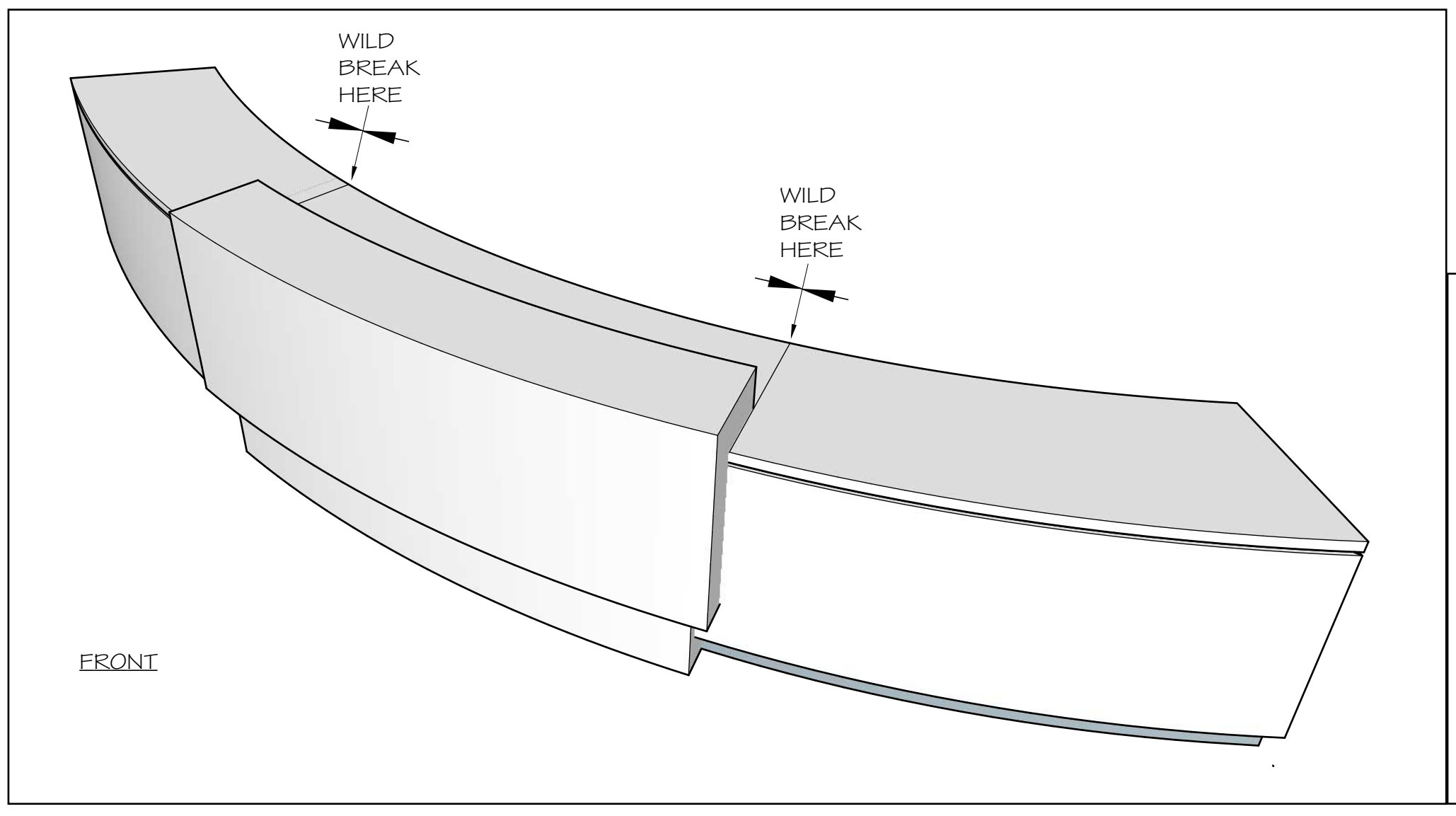
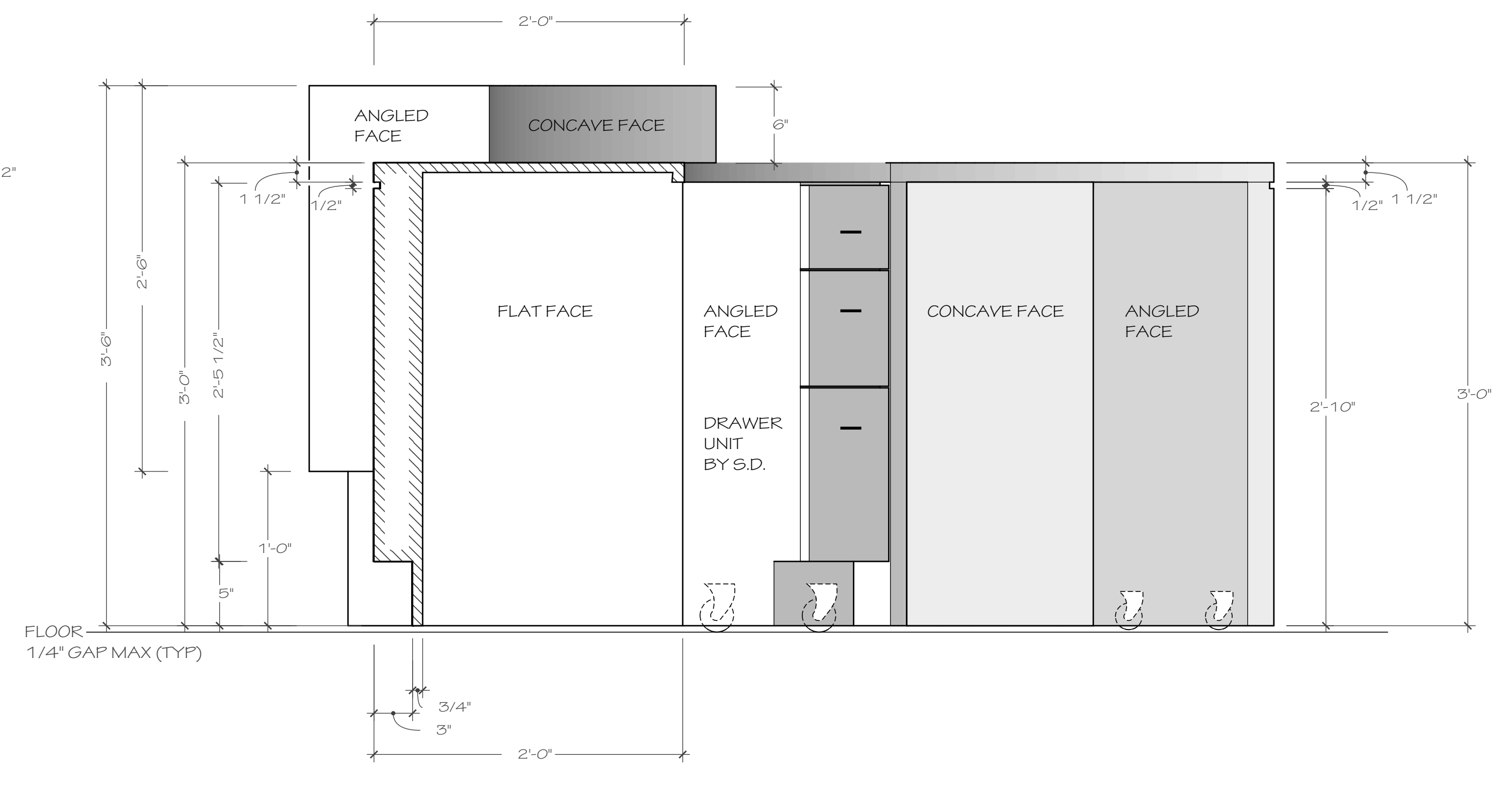
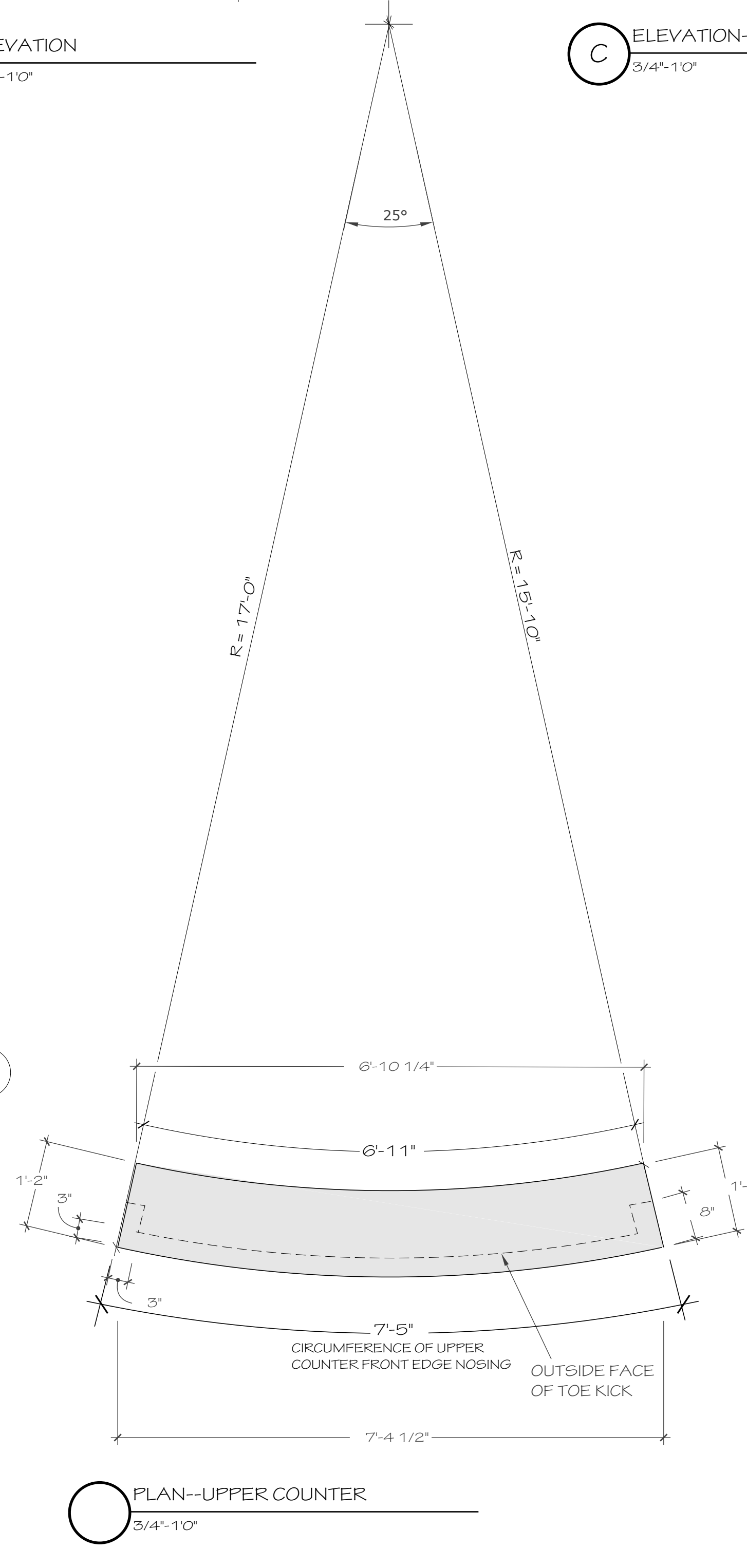
**NOTE**  
MAKE UNIT WILD ON  
CASTERS, OR GLIDING  
STRIPS, OR ?--DISCUSS



**1 DETAIL 1--COUNTER EDGE KEY (TYP)**  
3/4"-1'0"



**NOTE**  
MAKE UNIT WILD ON  
CASTERS, OR GLIDING  
STRIPS, OR ?--DISCUSS

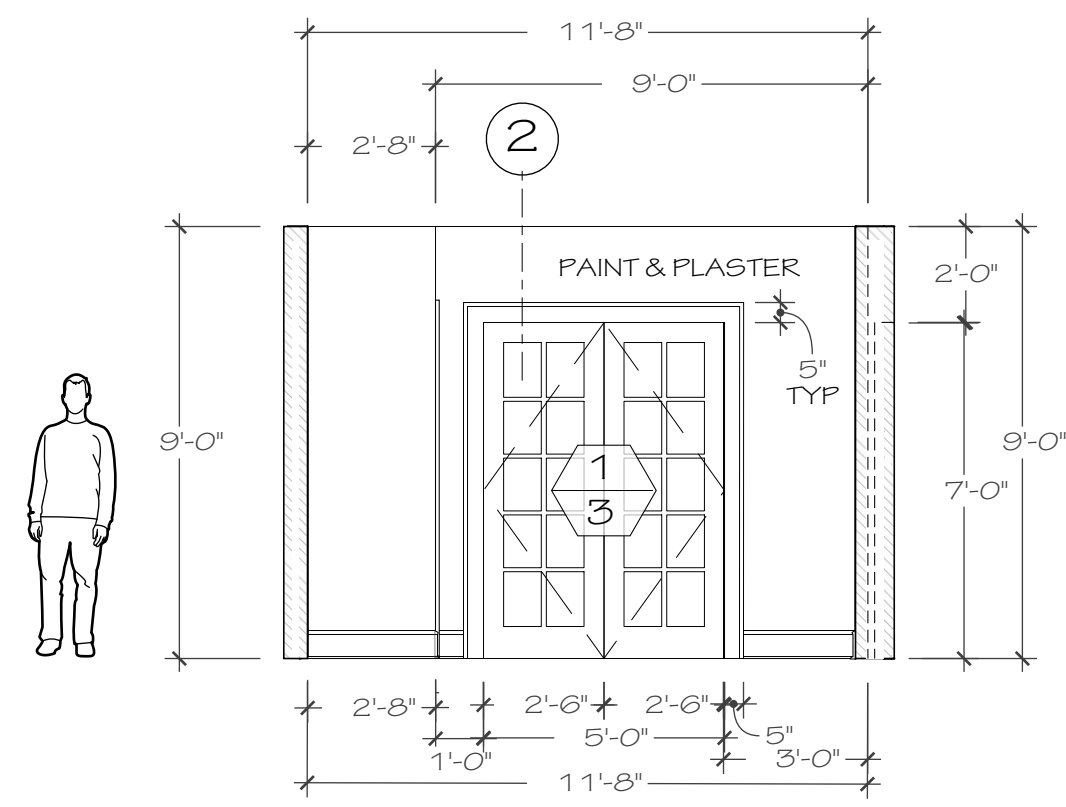


**PERSPECTIVE VIEWS**

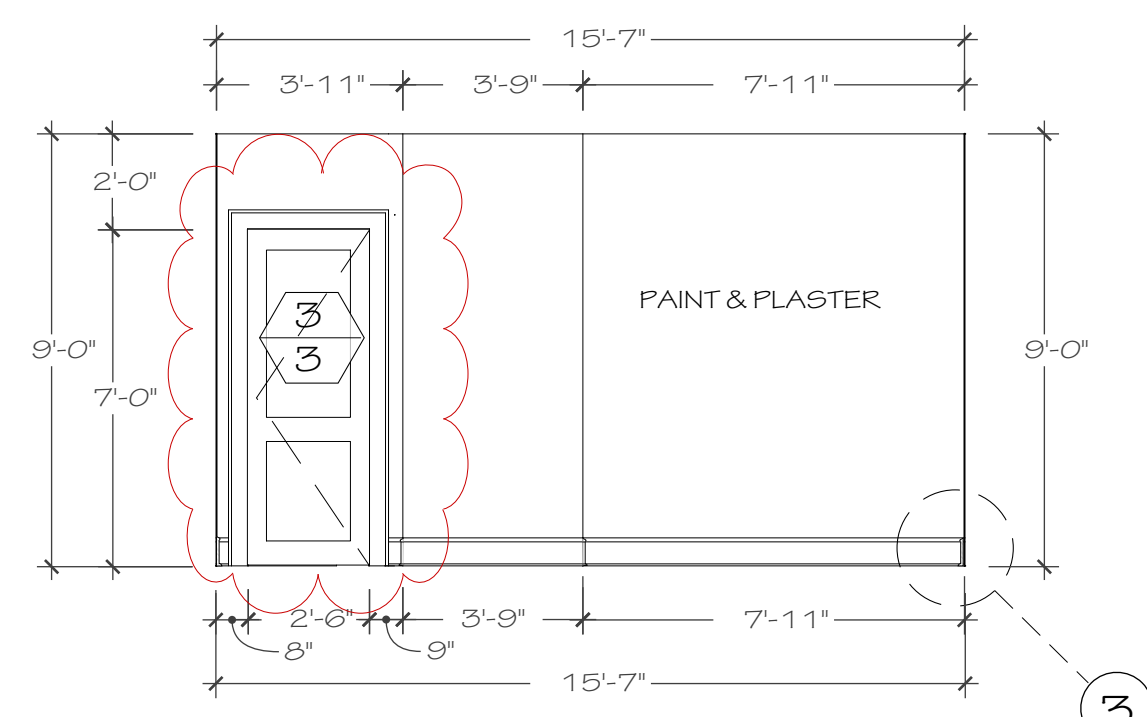
**RELEASED 08.11.17**

|  |                   |                      |                  |
|--|-------------------|----------------------|------------------|
| <b>THE RESIDENT</b>                            |                   |                      |                  |
| DATE DRAWN<br>08.10.17                         | SCALE<br>AS NOTED | REVISION #<br>---    | SET NO.<br>99-15 |
| SET TITLE<br>NURSES STATION 1                  |                   | DRAWN BY<br>S. BURNS |                  |
| DWG. TITLE<br>NURSES STATION 1 CABINET DETAILS |                   |                      | SHEET NO.        |
| LOCATION<br>STAGE 1                            |                   |                      | <b>C2</b>        |

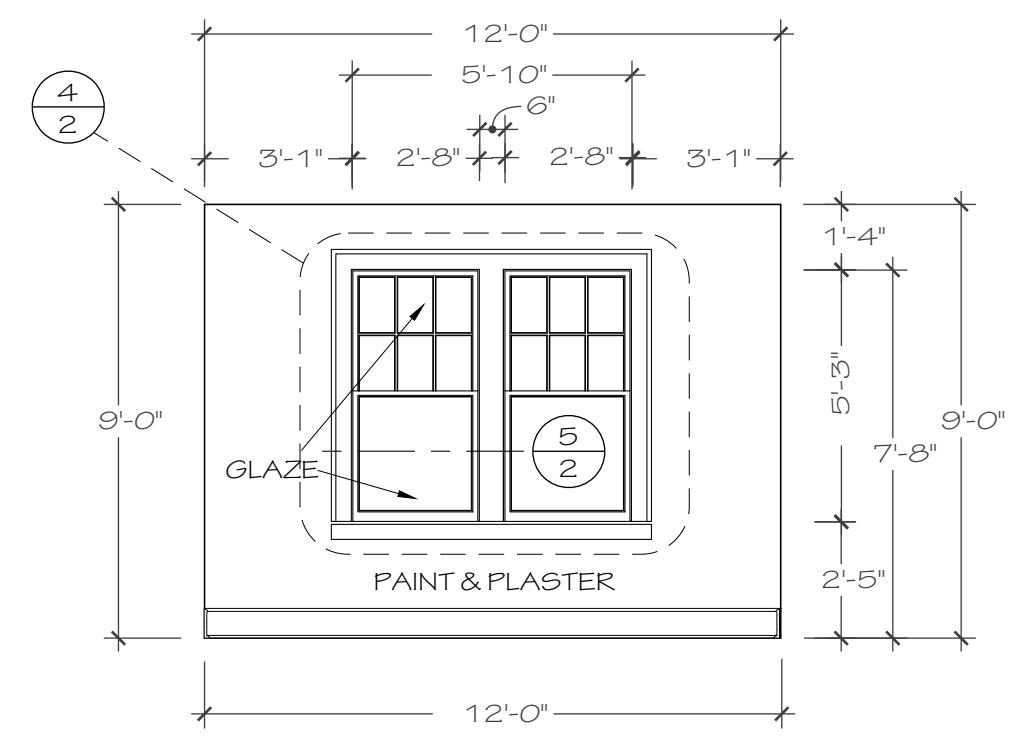




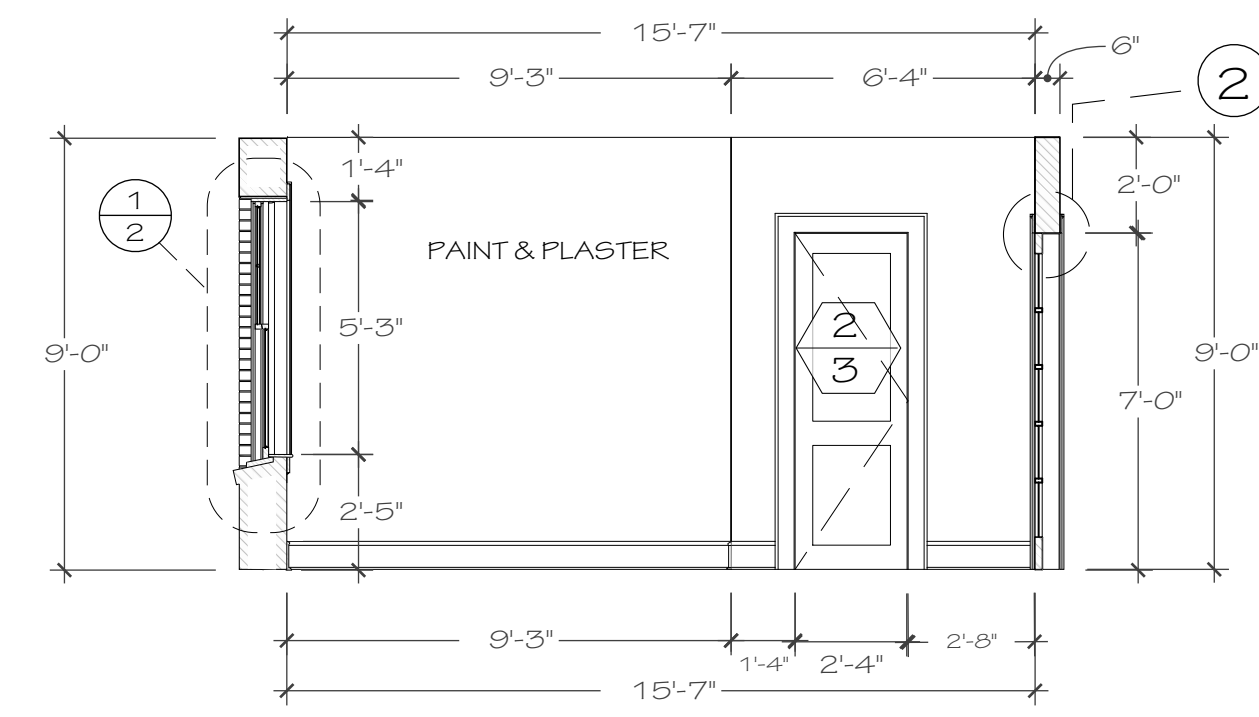
**A** ELEVATION w/ SECTION AA--DBL SIDED w/ ELEVATION E  
1/4"=1'0"



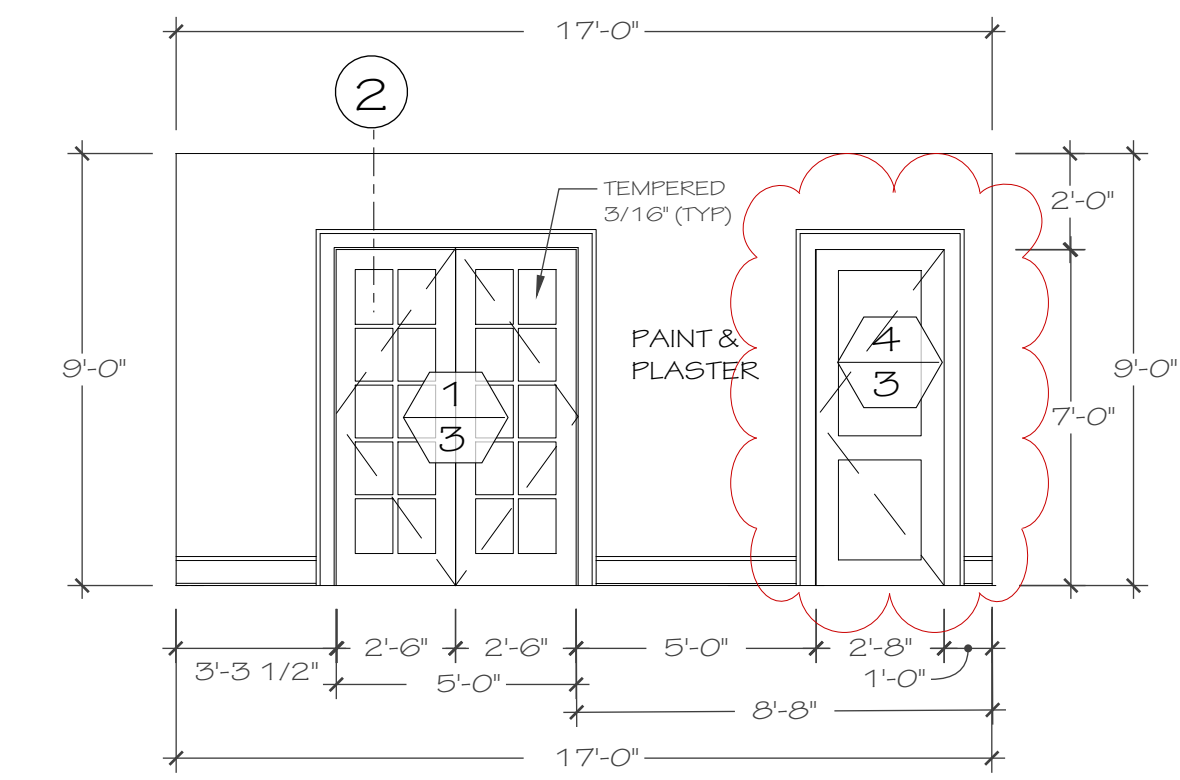
**B** ELEVATION  
1/4"=1'0"



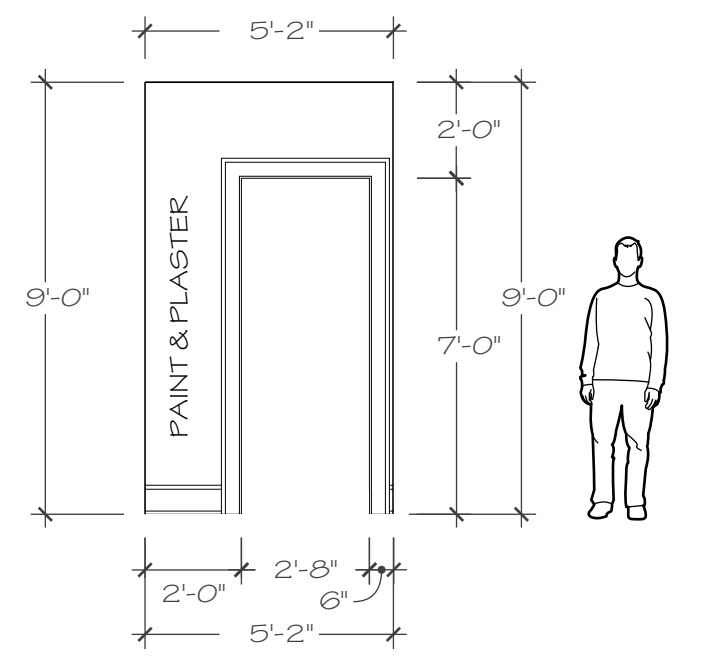
**C** ELEVATION  
1/4"=1'0"



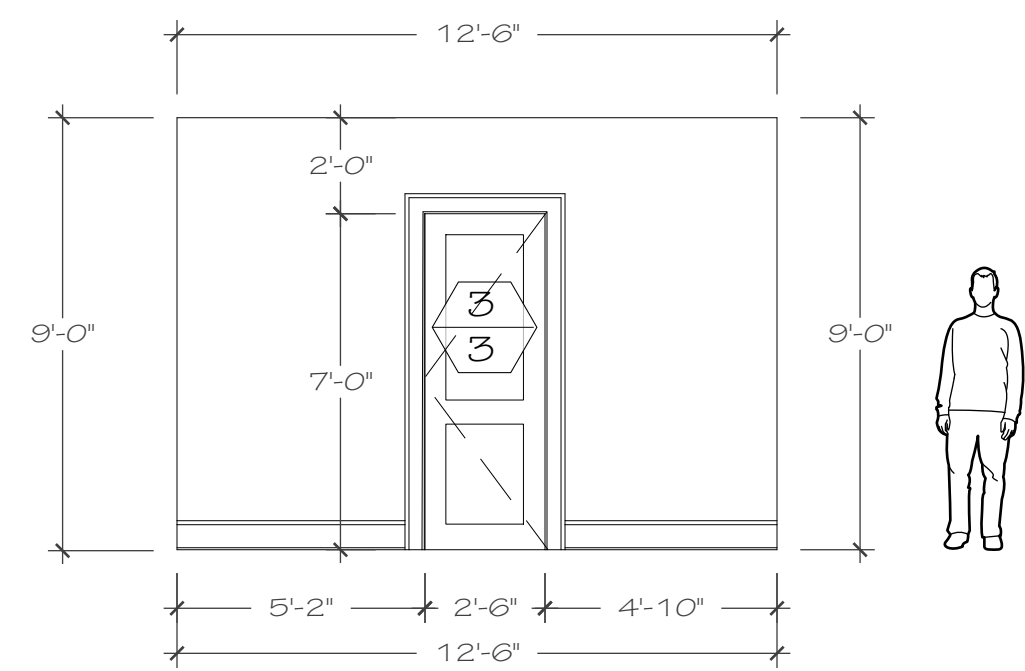
**D** ELEVATION w/ SECTION DD  
1/4"=1'0"



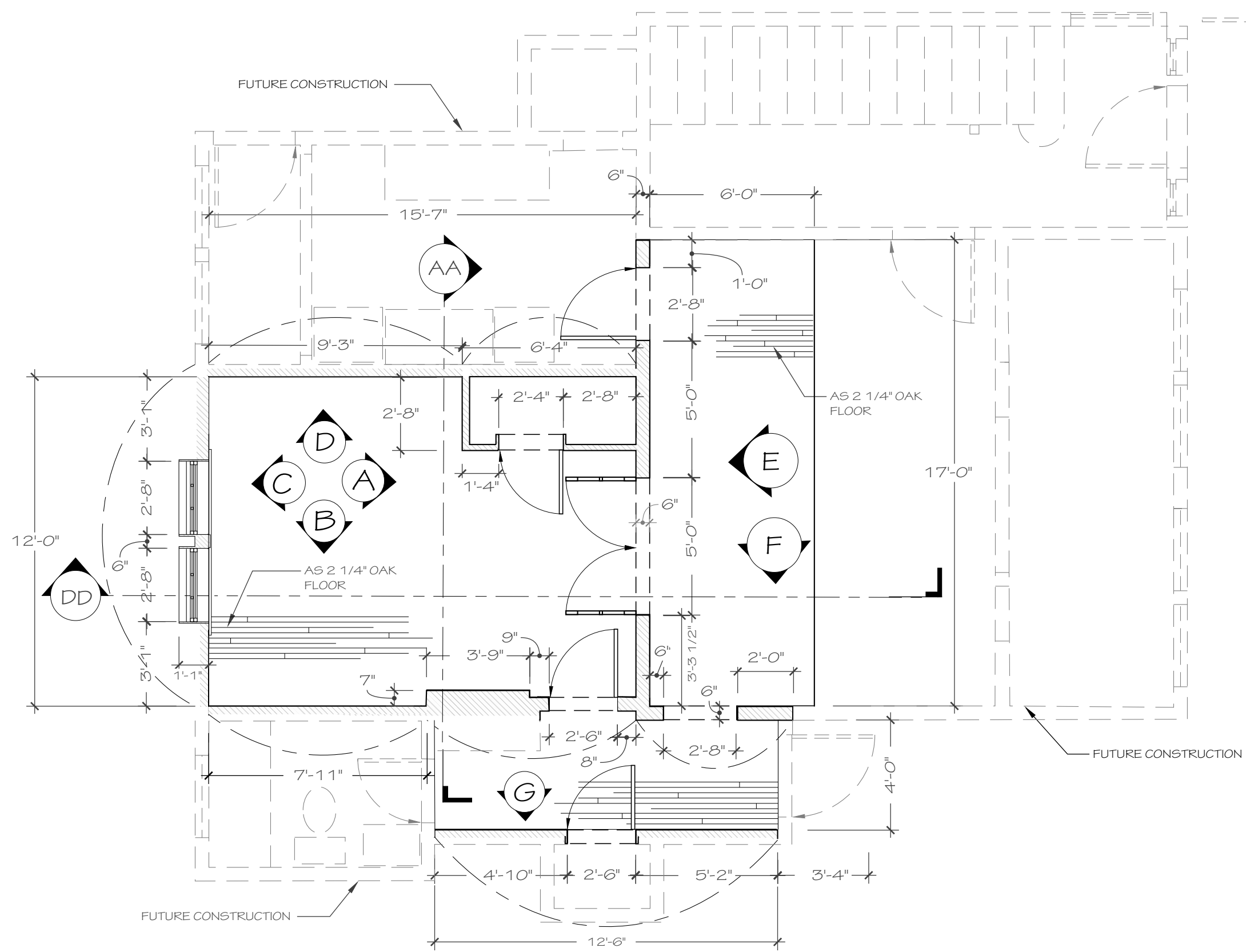
**E** ELEVATION--DBL SIDED w/ ELEVATION A  
1/4"=1'0"



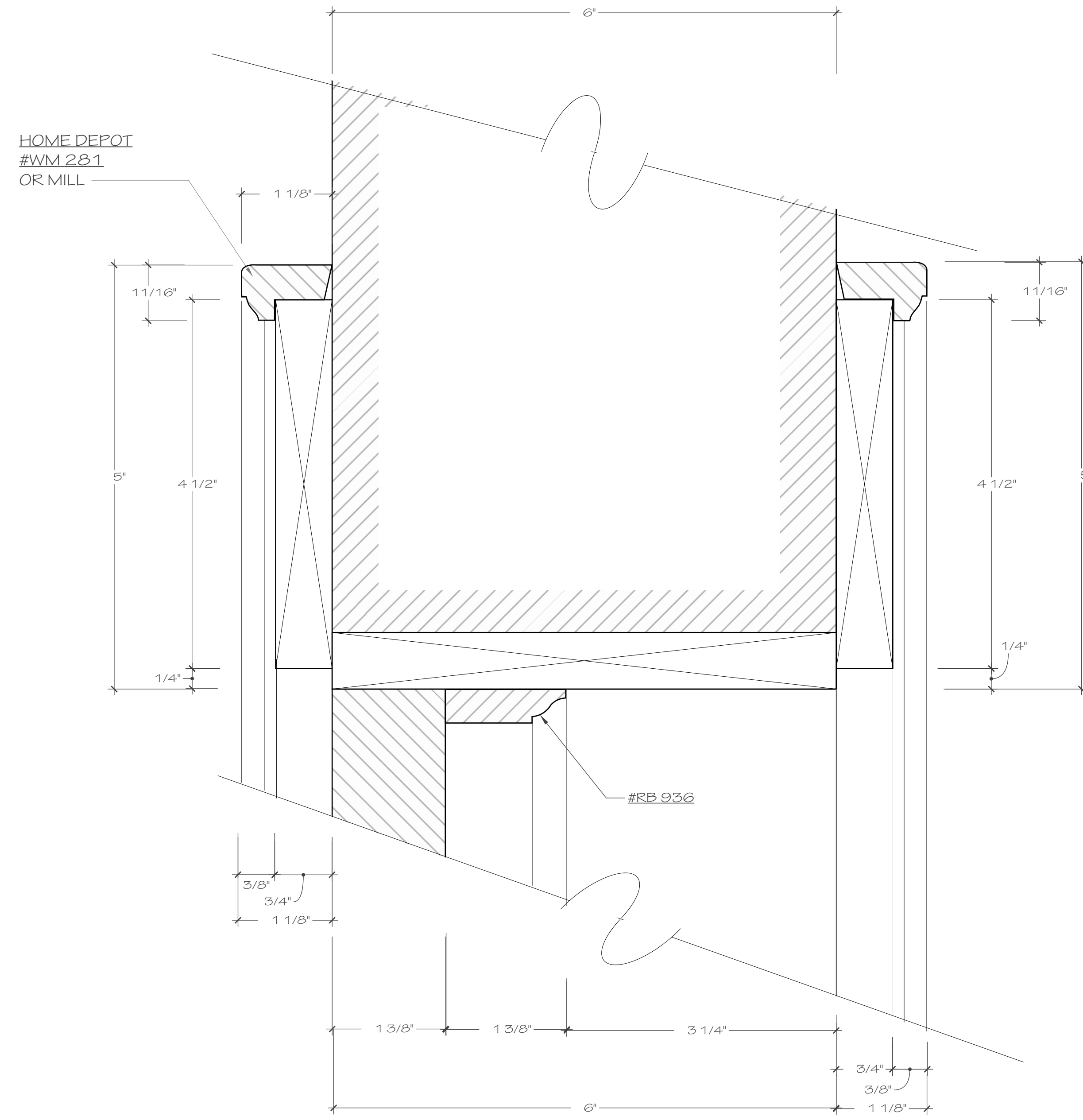
**F** ELEVATION  
1/4"=1'0"



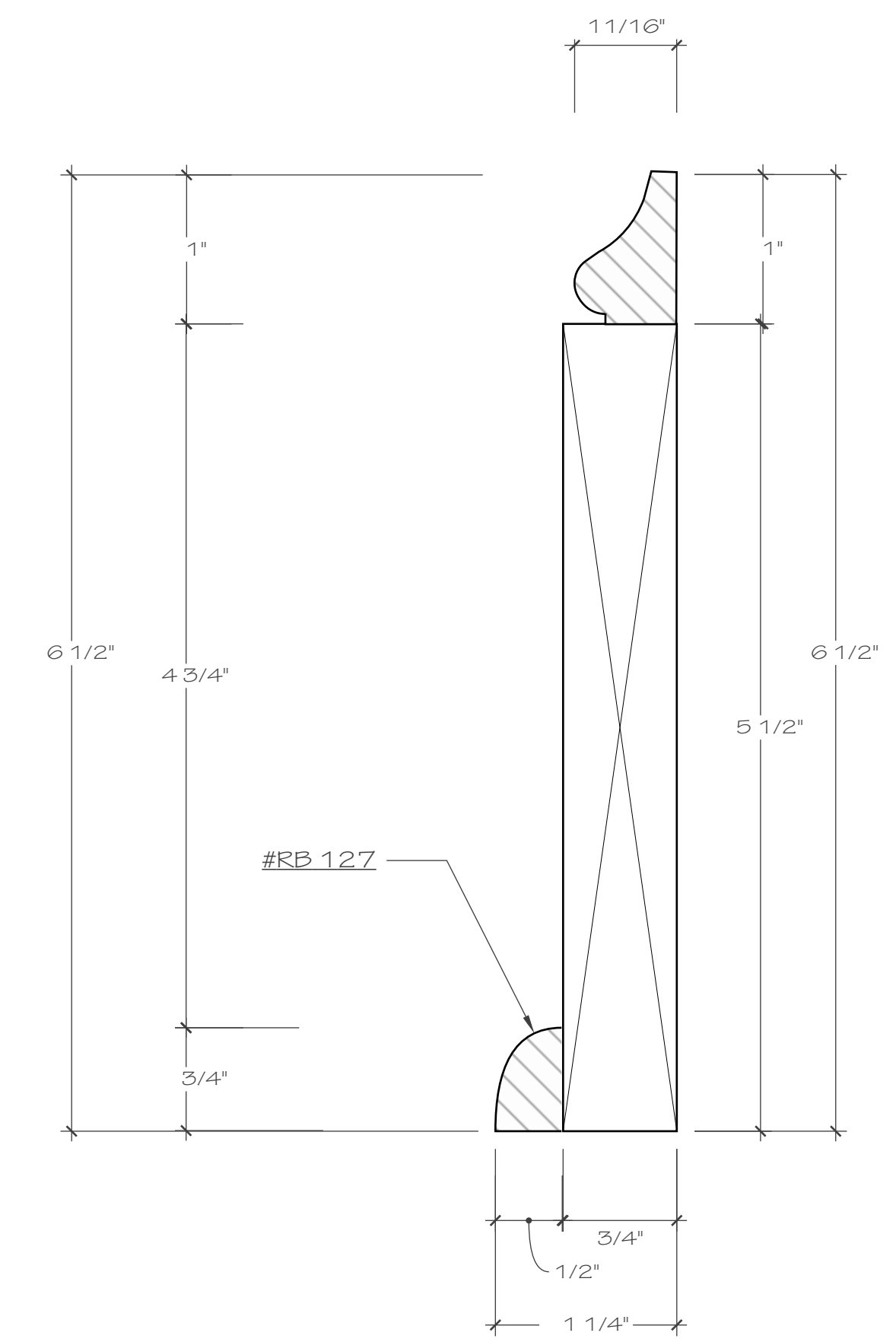
**G** ELEVATION  
1/4"=1'0"



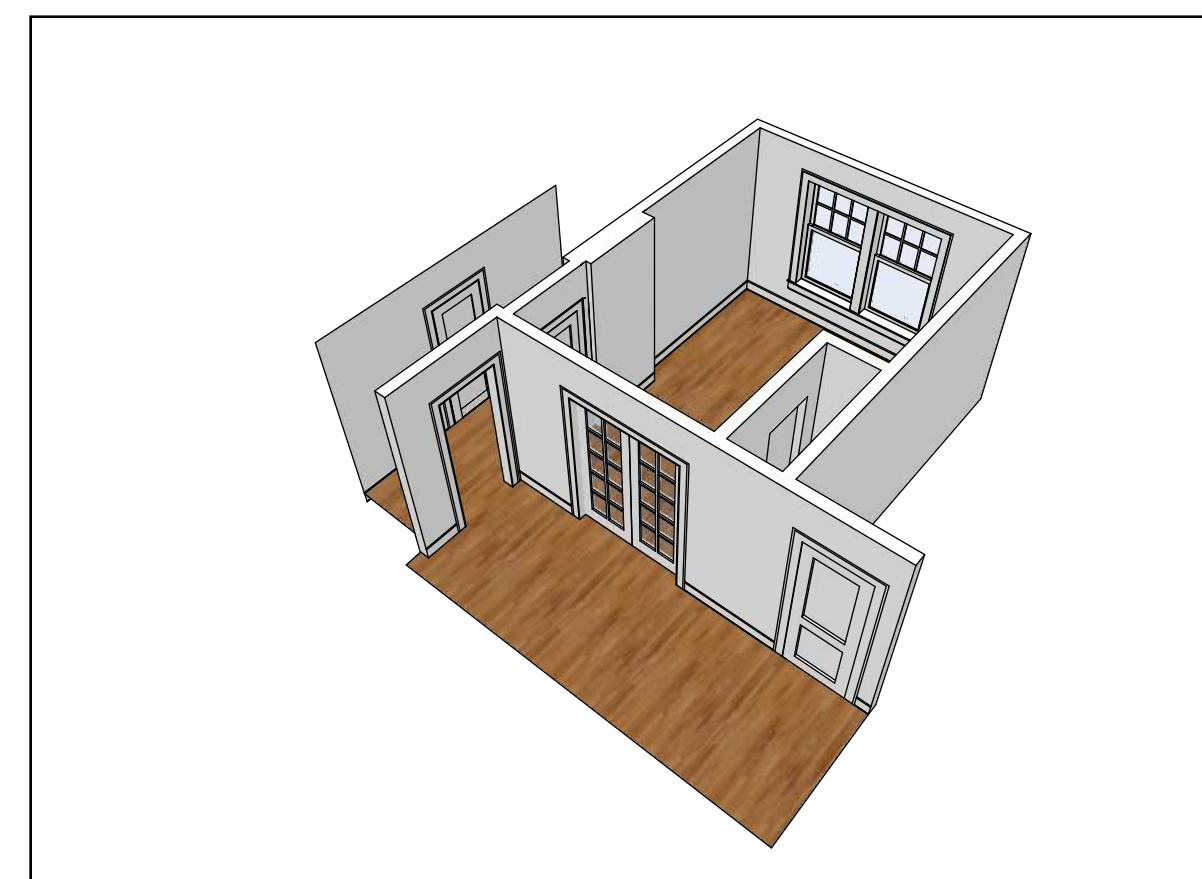
**PLAN** SHOWING CURRENT CONSTRUCTION WITHIN COMPLETE APARTMENT  
1/4"=1'0"



**2** DETAIL 2--CASING  
FULL SCALE



**3** DETAIL 3--BASEBOARD (TYP)  
FULL SCALE



**PERSPECTIVE VIEW**

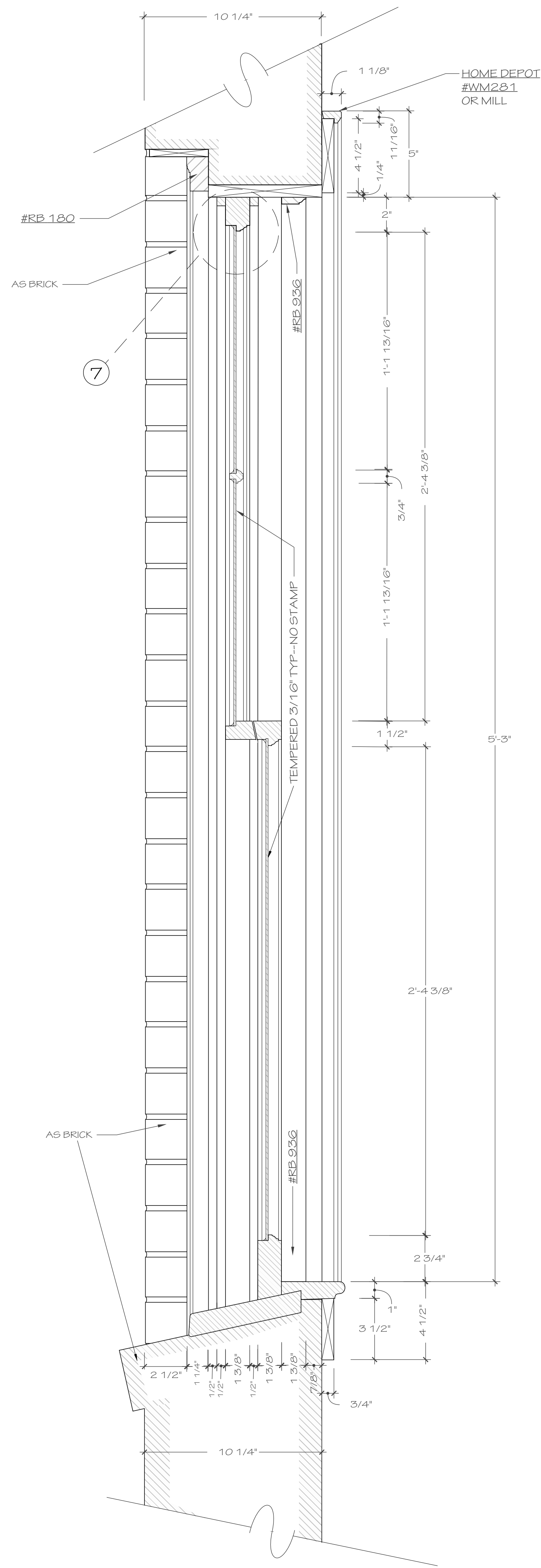
**RELEASED 09.21.17**

**THE RESIDENT**

|   |                   |                   |                      |
|---|-------------------|-------------------|----------------------|
| DATE DRAWN<br>09.21.17  | SCALE<br>AS NOTED | REVISION #<br>001 | SET NO.<br>104-45    |
| SET TITLE<br>DEVON'S APARTMENT--BEDROOM                       |                   |                   | DRAWN BY<br>S. BURNS |
| DWG. TITLE<br>BEDROOM ELEVATIONS & DETAILS                    |                   |                   | SHEET NO.            |
| LOCATION<br>STAGE 4<br>1003 SIGMAN RD NE<br>CONYERS, GA 30013 |                   |                   | <b>01</b>            |

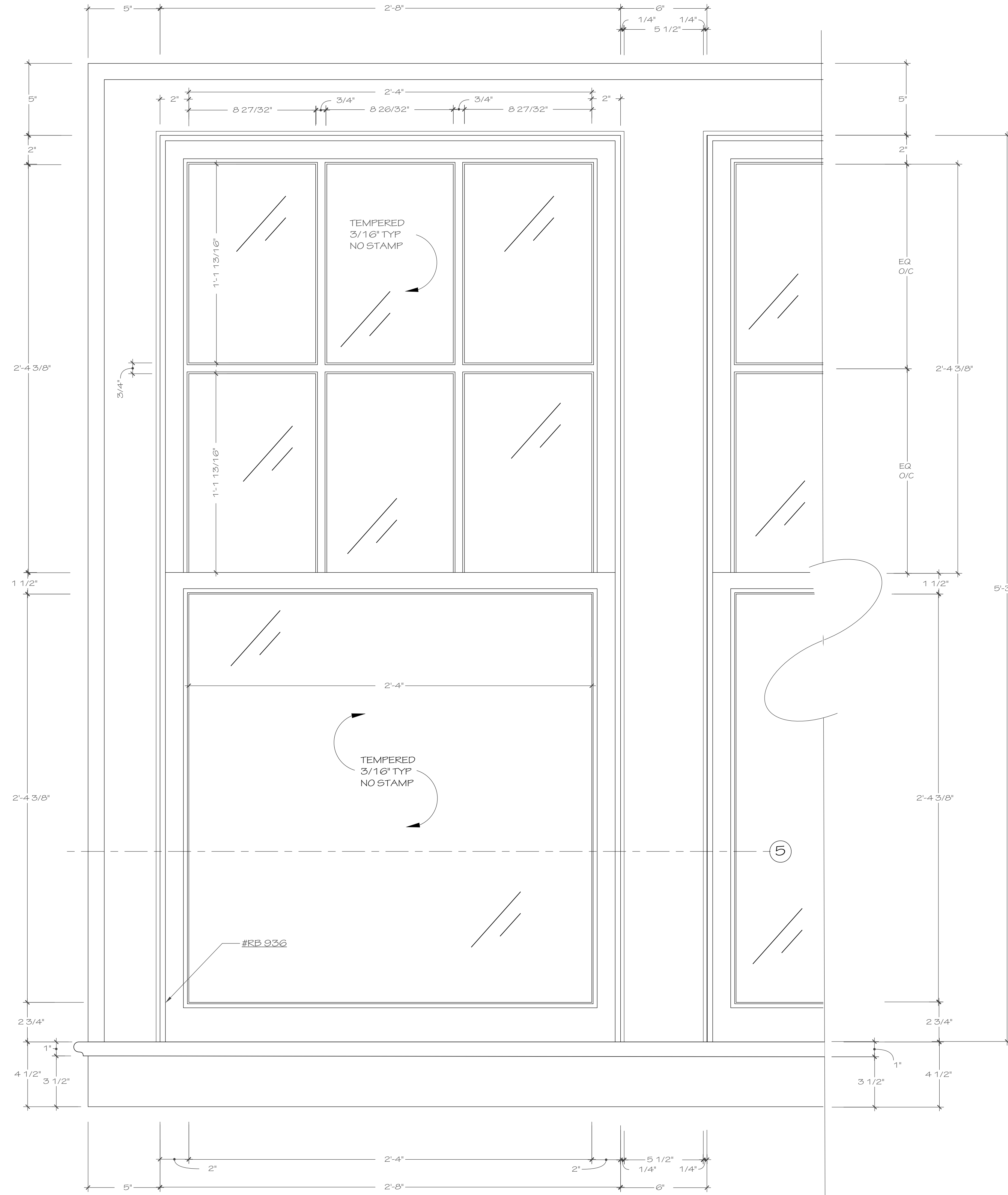
**REVISED**



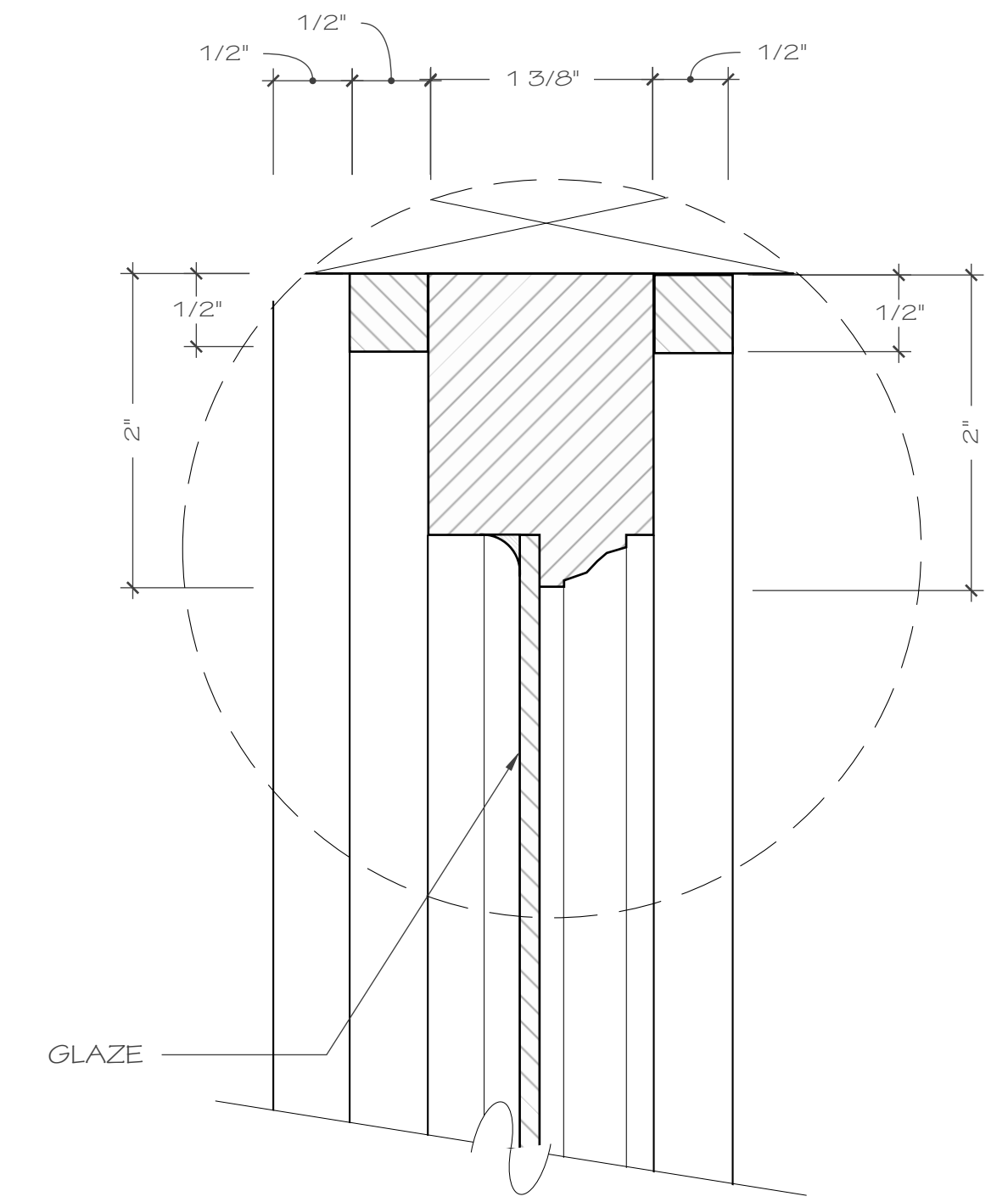


1 DETAIL 1  
3" = 1'-0"

5 DETAIL  
3" = 1'-0"



4 DETAIL  
3" = 1'-0"



7 DETAIL  
FULL SCALE



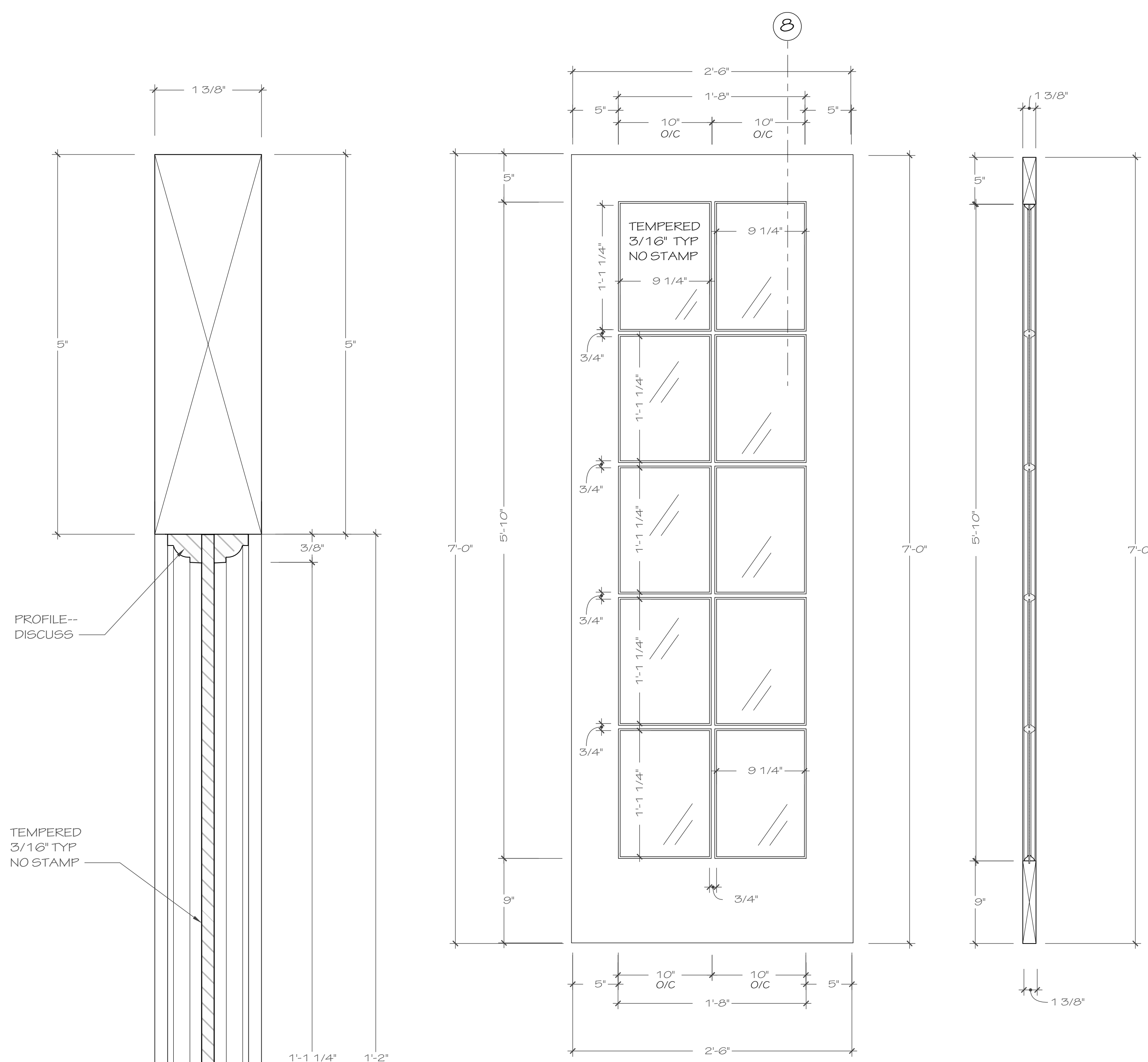
PERSPECTIVE VIEW

**RELEASED 09.21.17**

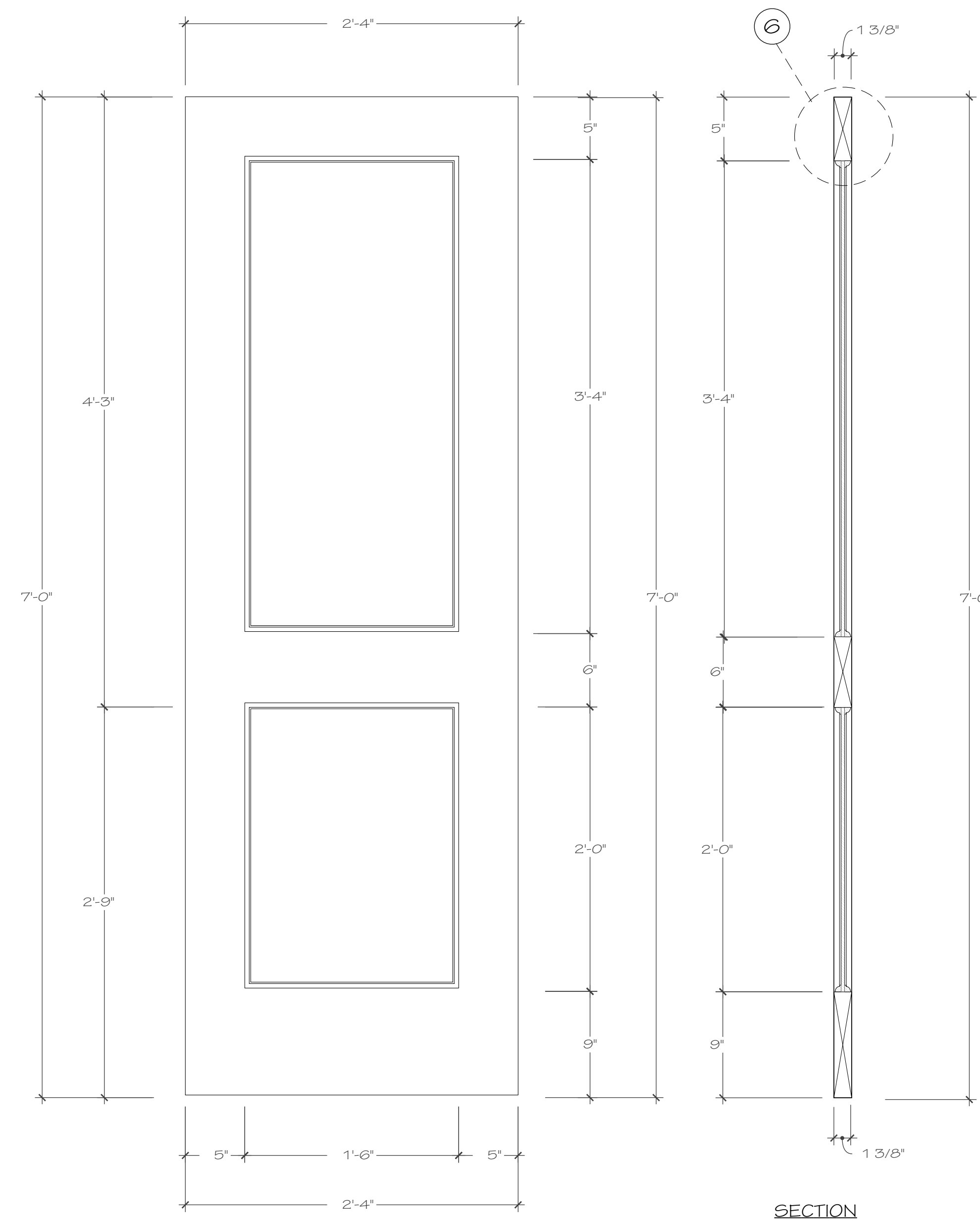
**THE RESIDENT**

|   |                   |                   |                        |
|---|-------------------|-------------------|------------------------|
| DATE DRAWN<br>09.21.17  | SCALE<br>AS NOTED | REVISION #<br>--- | SET NO.<br>104-45      |
| SET TITLE<br>DEVON'S APARTMENT--BEDROOM                       |                   |                   | DRAWN BY<br>S. BURNS   |
| DWG. TITLE<br>DEVON'S APT BEDROOM WINDOW DETAILS              |                   |                   | SHEET NO.<br><b>02</b> |
| LOCATION<br>STAGE 4<br>1003 SIGMAN RD NE<br>CONYERS, GA 30013 |                   |                   |                        |

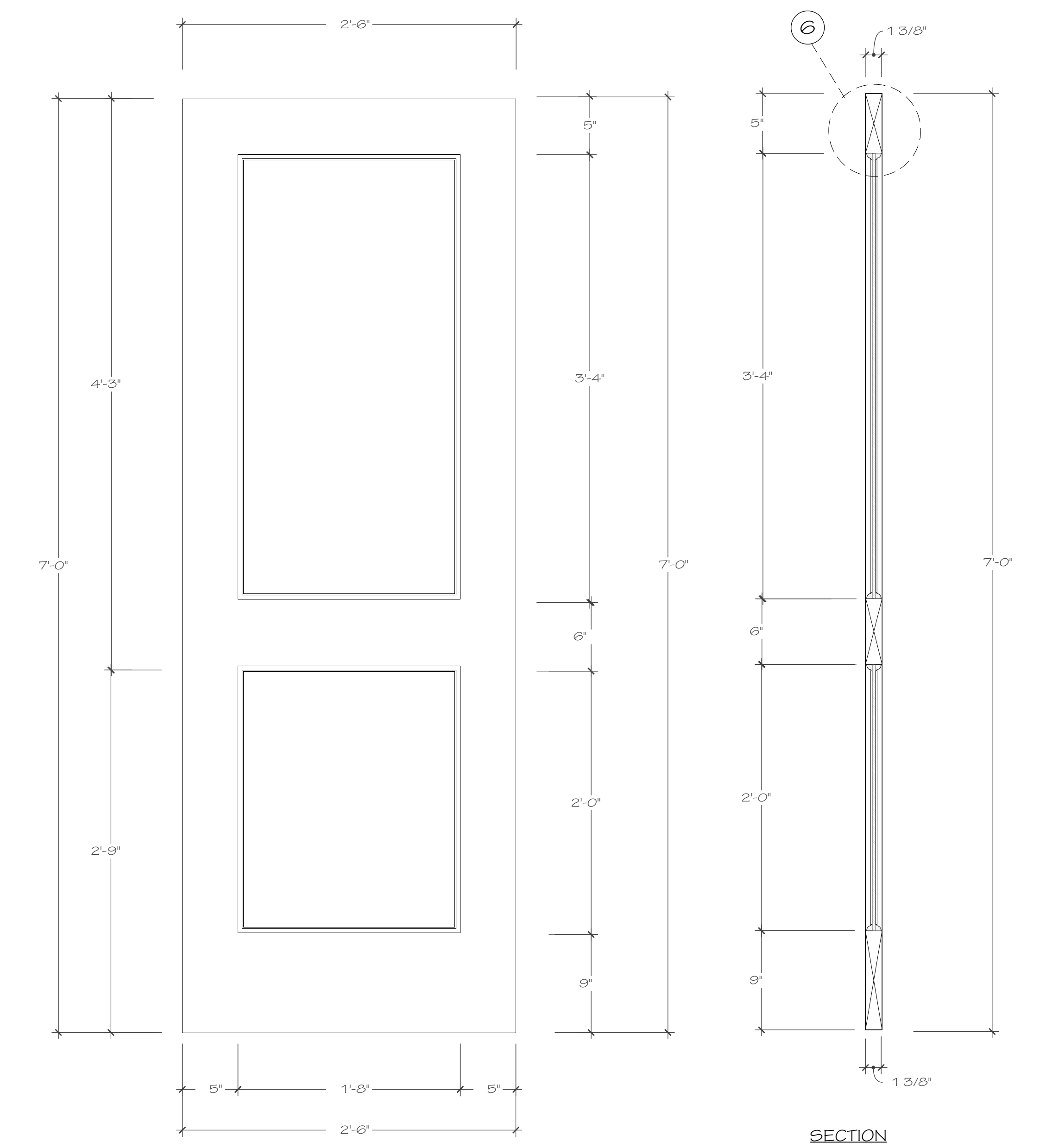




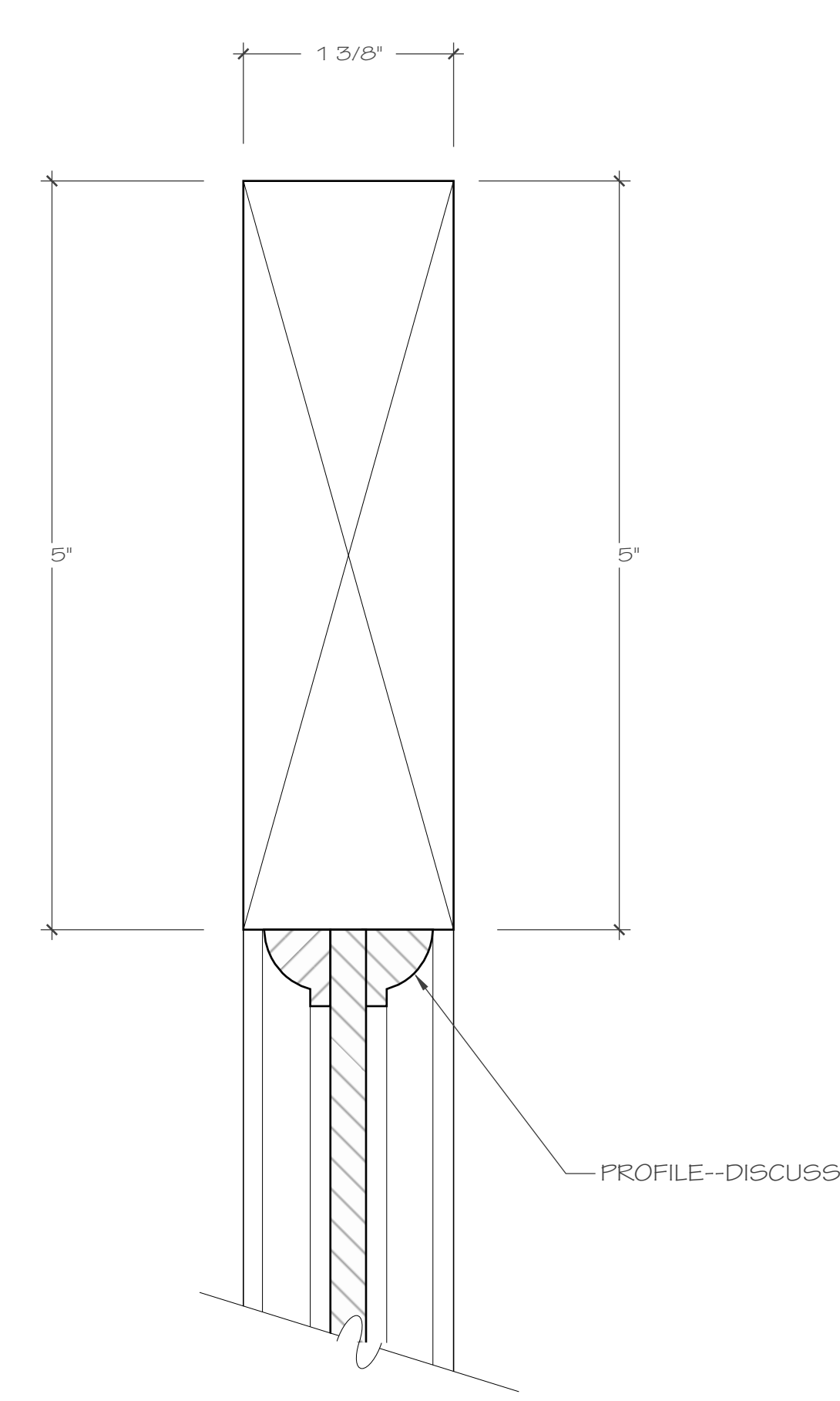
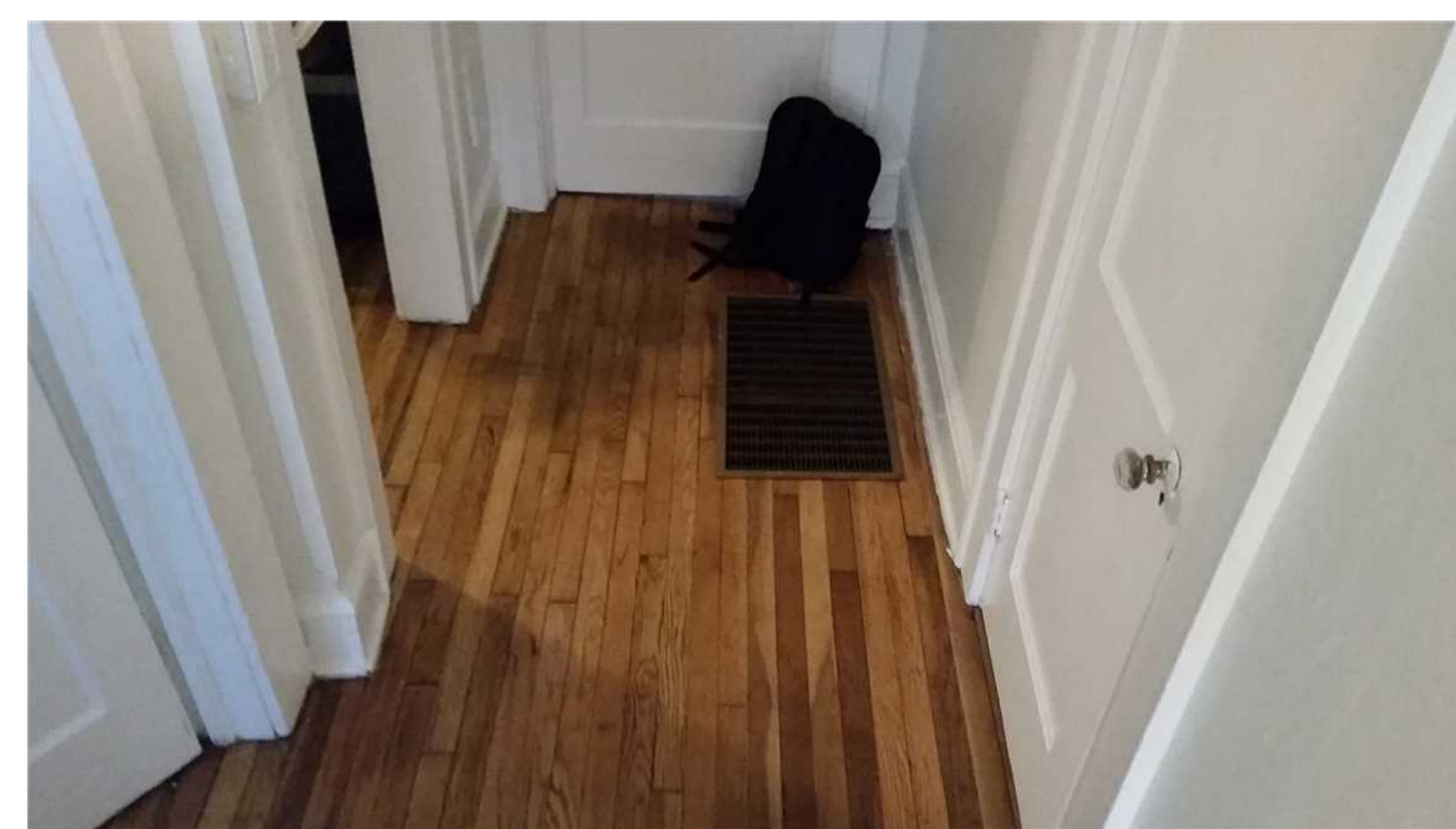
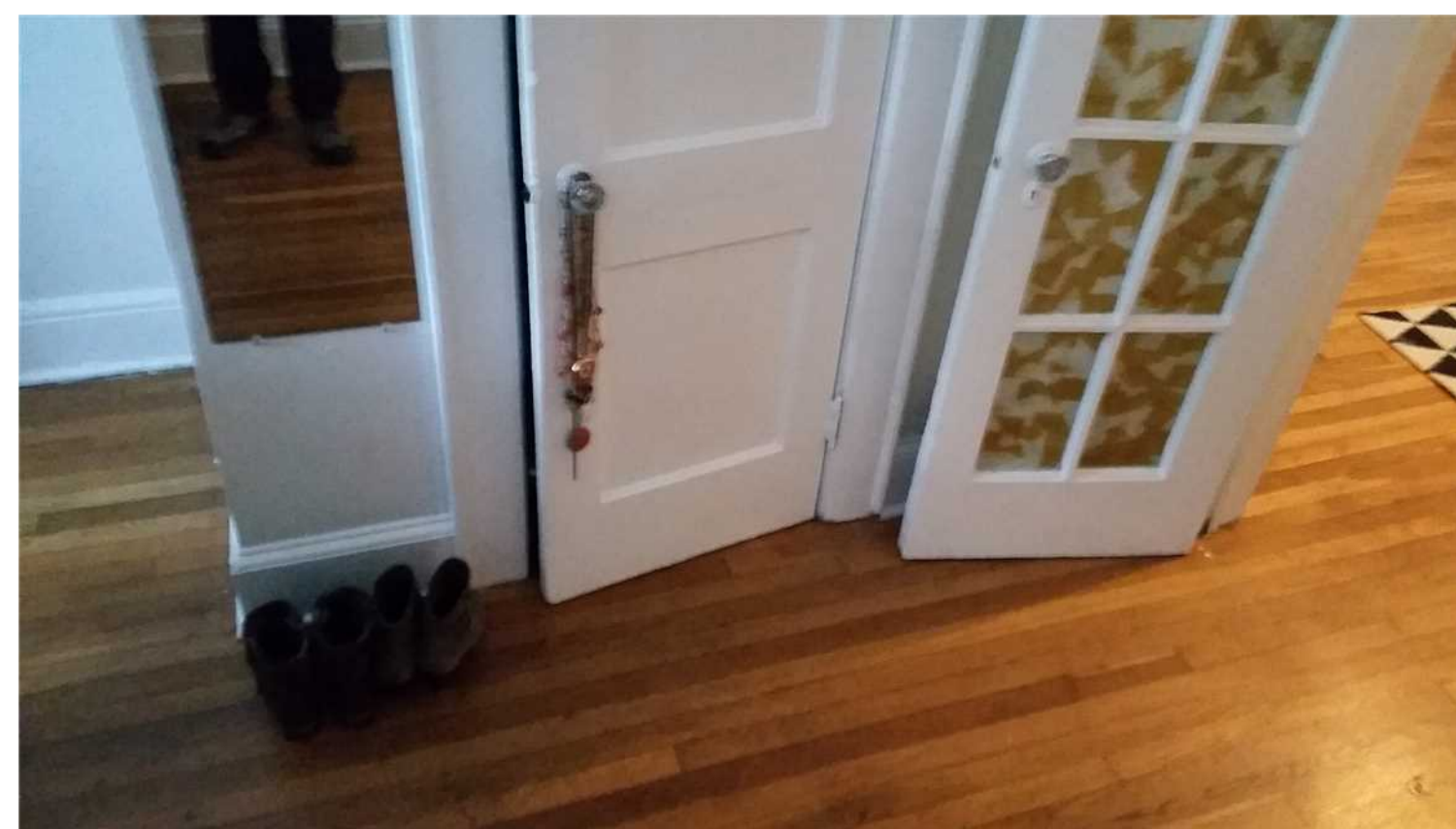
**1** DOOR DETAIL--LEFT HAND DOOR-R & R FOR RIGHT HAND DOOR  
1 1/2"x1'-0"



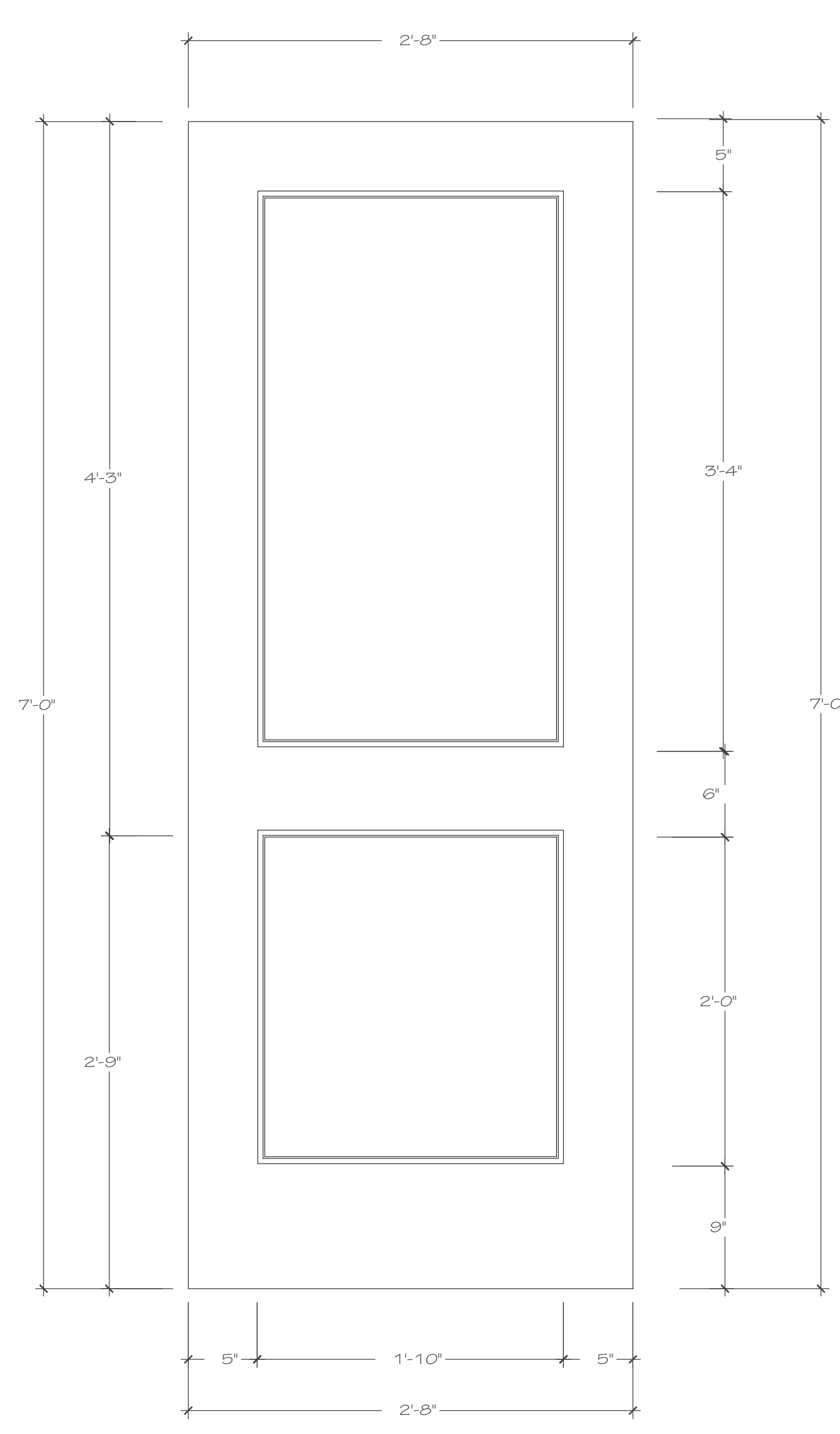
**2** DOOR DETAIL  
1 1/2"x1'-0"



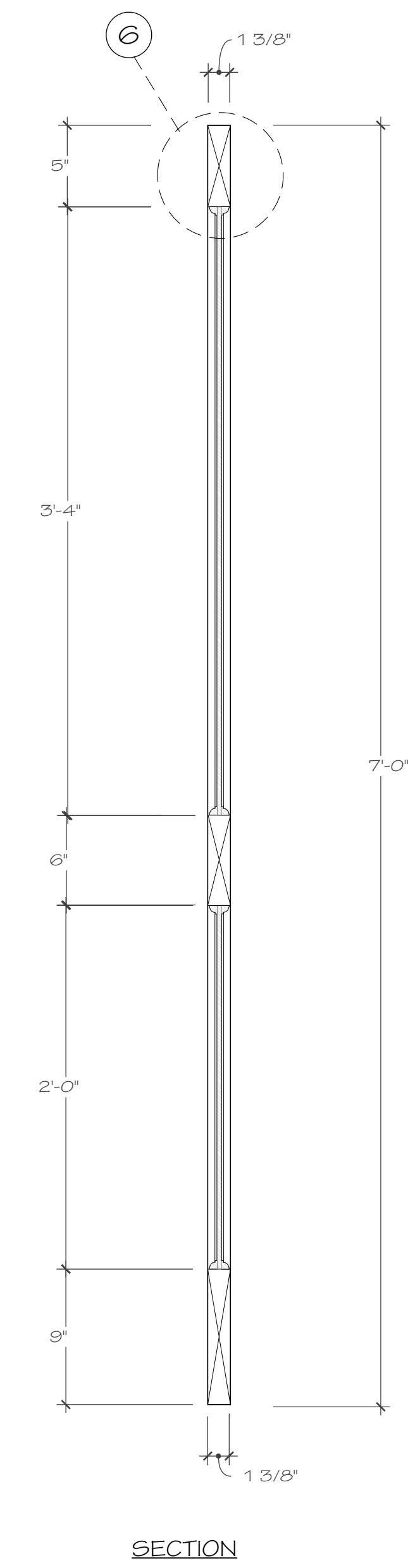
**3** DOOR DETAIL--\*\*\*BUILD TWO\*\*\*  
1 1/2"x1'-0"



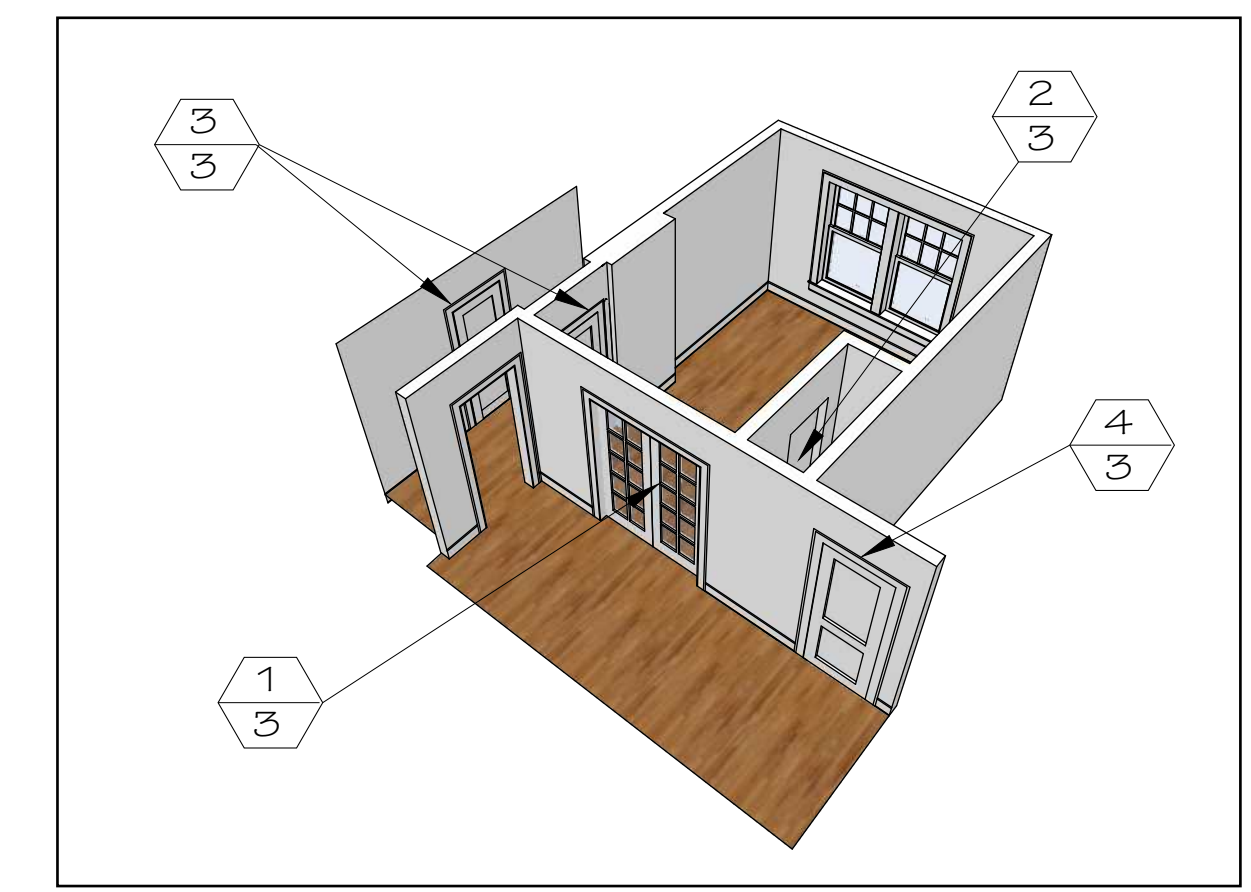
**6** DETAIL 6--DOOR PANEL (TYP)  
FULL SCALE



**4** DOOR DETAIL  
1 1/2"x1'-0"



SECTION



PERSPECTIVE VIEW

**8** DETAIL 8--FRENCH DOOR  
FULL SCALE

**RELEASED 09.21.17**

**THE RESIDENT**

|   |                   |                   |                        |
|---|-------------------|-------------------|------------------------|
| DATE DRAWN<br>09.21.17  | SCALE<br>AS NOTED | REVISION #<br>--- | SET NO.<br>104-45      |
| SET TITLE<br>DEVON'S APARTMENT--BEDROOM                       |                   |                   | DRAWN BY<br>S. BURNS   |
| DWG. TITLE<br>DEVON'S APT BEDROOM ELEVATIONS & DETAILS        |                   |                   | SHEET NO.<br><b>03</b> |
| LOCATION<br>STAGE 4<br>1003 SIGMAN RD NE<br>CONYERS, GA 30013 |                   |                   |                        |